

**Section E**

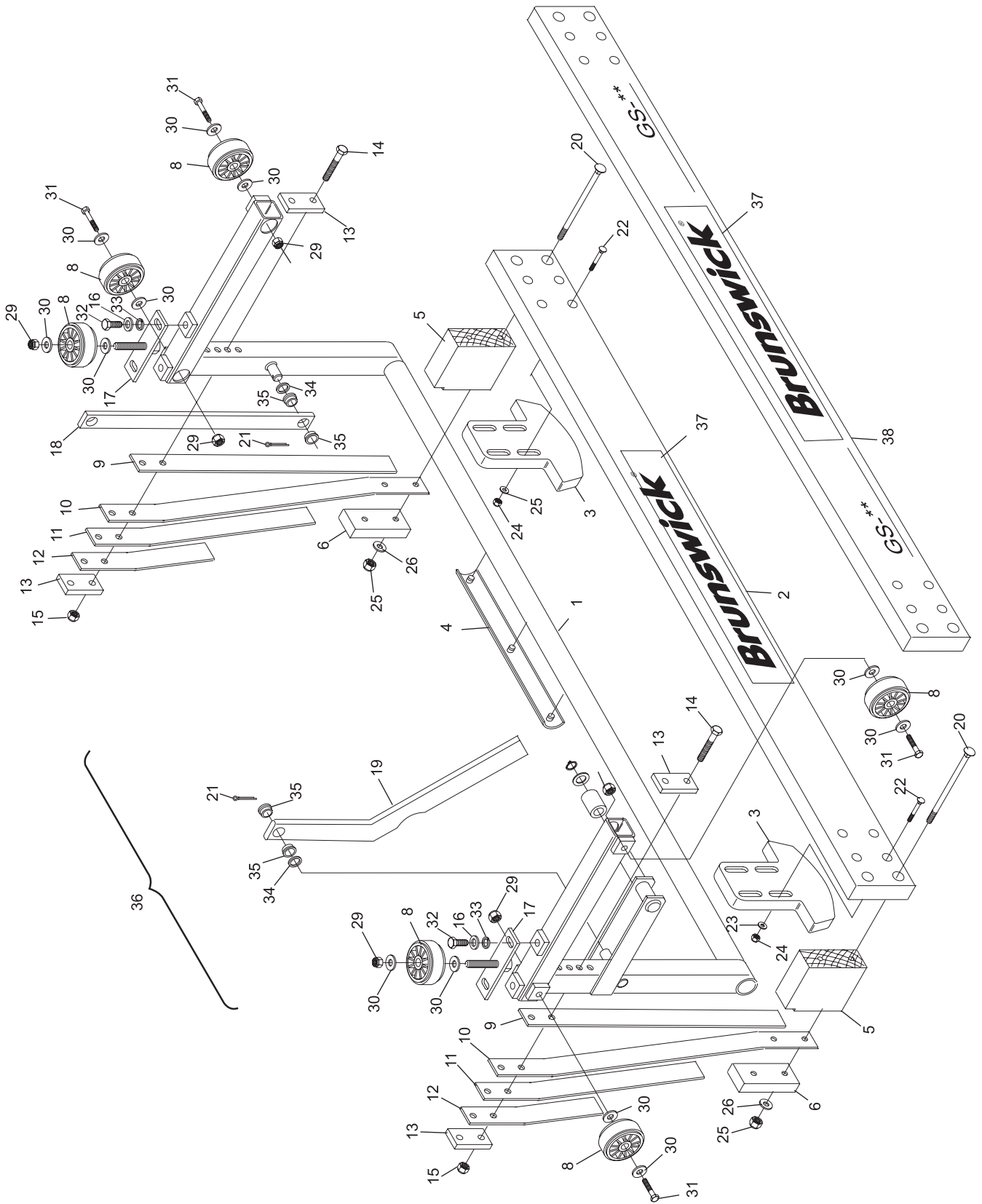
**SWEEP WAGON**

| <b>Index No.</b> | <b>Part No.</b> | <b>Description</b>                                 |
|------------------|-----------------|--|
| 1.               | 47-042058-001   | Sweep Wagon Frame with Leaf Springs                |
|                  | N.A.            | Sweep Wagon Frame without Leaf Springs             |
| 2.               | 47-041769-003   | Sweep Board Only (brown for GS-10, GS-92 or GS-96) |
| 3.               | 47-041721-002   | Gutter Adapter                                     |
| 4.               | 47-041636-004   | Protection Strip                                   |
| 5.               | 47-041750-004   | Spacer   |
| 6.               | 47-041751-004   | Protector  |
| 7.               | 46-040170-004   | Roller   |
| 8.               | 99-040249-004   | Plastic Roller with Sleeve                         |
| 9.               | 47-041737-004   | Retaining Flat Spring                              |
| 10.              | 47-041734-004   | Flat Spring  |
| 11.              | 47-041735-004   | Flat Spring  |
| 12.              | 47-041736-004   | Flat Spring  |
| 13.              | 47-041738-004   | Flat Spring  |
| 14.              | 11-051013-001   | Hex Hd. Cap Screw (10 mm x 90 mm)                  |
| 15.              | 11-051745-001   | Locknut (10 mm)                                    |
| 16.              | 11-051770-001   | Lockwasher (8 mm)                                  |
| 17.              | 47-041774-004   | Bracket  |
| 18.              | 47-041526-003   | Pusher Rod (right-hand)                            |
| 19.              | 47-042056-002   | Pusher Rod (left-hand)                             |
| 20.              | 11-052608-001   | Carriage Bolt (8 mm x 150 mm)                      |
| 21.              | 11-051792-001   | Split Pin (3.2 mm x 28 mm)                         |
| 22.              | 11-052607-001   | Carriage Bolt (6 mm x 45 mm)                       |
| 23.              | 11-052037-001   | Flat Washer (6.4 mm x 18 mm x 1.6 mm)              |
| 24.              | 11-051743-001   | Locknut (6 mm)                                     |
| 25.              | 11-051744-001   | Locknut (8 mm)                                     |
| 26.              | 11-052006-001   | Flat Washer (8.4 mm x 20 mm x 2 mm)                |
| 27.              | 11-051852-001   | Retaining Ring (17 mm)                             |
| 28.              | 11-052012-001   | Flat Washer (18 mm x 24 mm x 2 mm)                 |
| 29.              | 11-051747-001   | Locknut (12 mm)                                    |
| 30.              | 11-052024-001   | Flat Washer (13 mm x 30 mm x 1.6 mm)               |
| 31.              | 11-051051-001   | Hex Hd. Cap Screw (12 mm x 60 mm)                  |
| 32.              | 11-051038-001   | Hex Hd. Cap Screw (8 mm x 16 mm)                   |
| 33.              | 11-052003-001   | Flat Washer (8.4 mm x 17 mm x 1.6 mm)              |
| 34.              | 11-052034-001   | Flat Washer (15 mm x 20 mm x 2 mm)                 |
| 35.              | 99-010103-004   | Plastic Bearing                                    |
| 36.              | 47-041637-001   | Sweep Wagon Assembly Complete                      |
| 37.              | 47-042545-000   | Sweep Board Decal (GS-10)                          |
|                  | 47-044692-004   | Sweep Board Decal (GS-92)                          |
|                  | 47-044801-004   | Sweep Board Decal (GS-96)                          |
|                  | 47-045082-004   | Sweep Board Decal (GS-98)                          |
|                  | 47-045373-004   | Sweep Board Decal (GS-X)                           |
| 38.              | 47-044802-009   | Sweep Board with Felt (brown)                      |
|                  | 47-044927-003   | Sweep Board only (gray)                            |
| 39.              | *47-043772-004  | Felt only  |

*N.A.=No Longer Available*

*\* Not Illustrated*

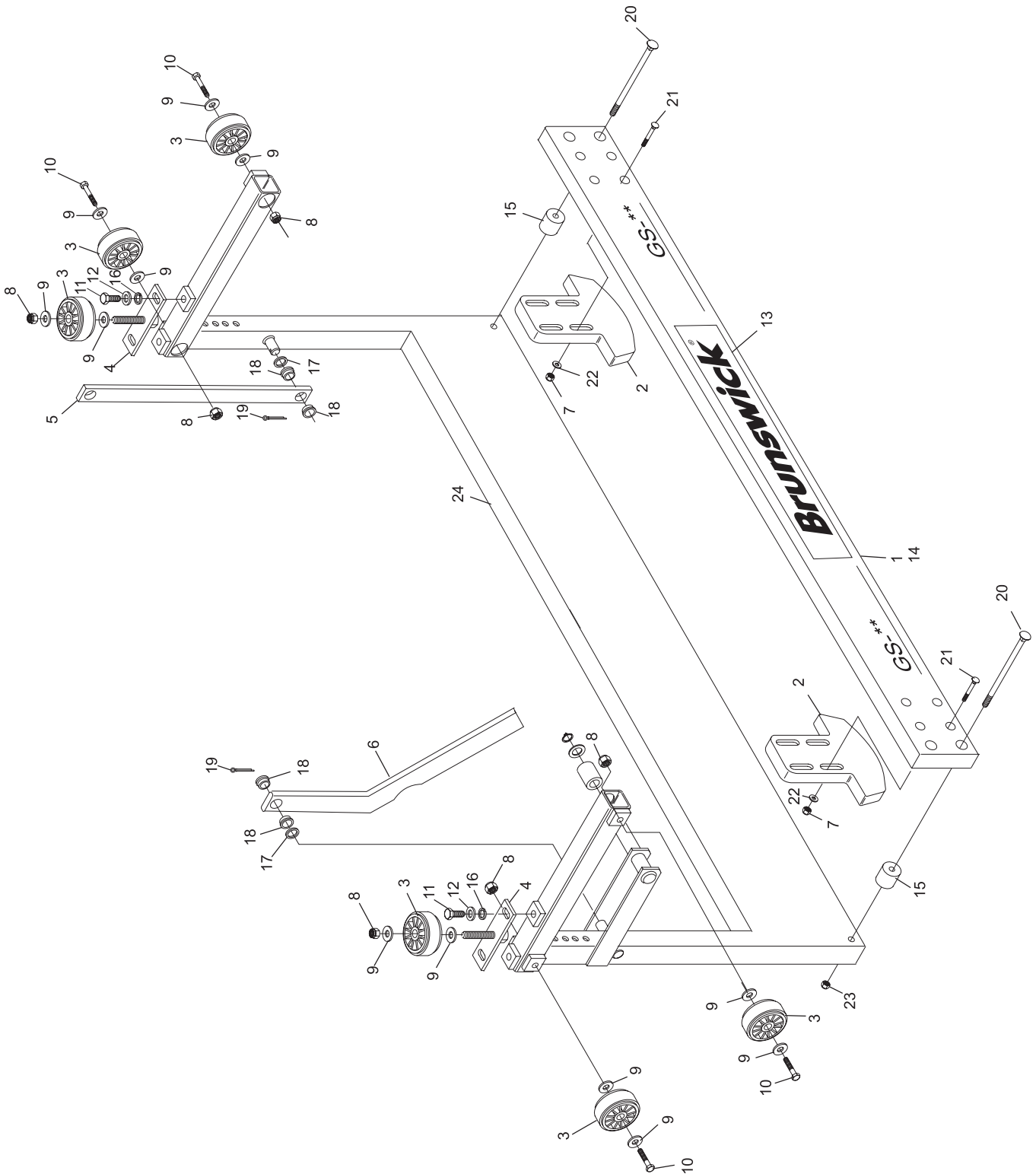
## **Sweep Wagon Assembly - with Springs**



**Sweep Wagon Assembly - with Springs**

| <b>Index No.</b> | <b>Part No.</b> | <b>Description</b>                         |
|------------------|-----------------|--|
| 1.               | 47-044927-003   | Sweep Board Only (gray for GS-98, or GS-X) |
| 2.               | 47-041721-002   | Gutter Adapter                             |
| 3.               | 99-040249-004   | Plastic Roller with Sleeve                 |
| 4.               | 47-041774-004   | Bracket                                    |
| 5.               | 47-041526-004   | Pusher Rod (right-hand)                    |
| 6.               | 47-042056-003   | Pusher Rod (left-hand)                     |
| 7.               | 11-051743-001   | Locknut (6 mm)                             |
| 8.               | 11-051747-001   | Locknut (12 mm)                            |
| 9.               | 11-052024-001   | Flat Washer (13 mm x 30 mm x 1.6 mm)       |
| 10.              | 11-051070-001   | Hex Hd. Cap Screw (12 mm x 60 mm)          |
| 11.              | 11-051010-001   | Hex Hd. Cap Screw (8 mm x 20 mm)           |
| 12.              | 11-052019-001   | Flat Washer (8.4 mm x 24 mm x 2 mm)        |
| 13.              | 47-045082-004   | Sweep Board Decal (GS-98)                  |
|                  | 47-045373-004   | Sweep Board Decal (GS-X)                   |
| 14.              | 47-044802-009   | Sweep Board with Felt (brown)              |
| 15.              | 47-044979-004   | Rubber Bumper                              |
| 16.              | 11-051770-001   | Lockwasher (8 mm)                          |
| 17.              | 11-052034-001   | Flat Washer (15 mm x 20 x mm 2 mm)         |
| 18.              | 99-010103-004   | Plastic Bearing                            |
| 19.              | 11-051786-001   | Split Pin (2.5 mm x 25 mm)                 |
| 20.              | 11-052601-001   | Carriage Bolt (8 mm x 30 mm)               |
| 21.              | 11-052614-001   | Carriage Bolt (6 mm x 40 mm)               |
| 22.              | 11-052037-001   | Flat Washer (6.4 mm x 18 mm x 1.6 mm)      |
| 23.              | 11-051744-001   | Locknut (8 mm)                             |
| 24.              | 47-045010-002   | Sweep Wagon (Frame only)                   |
| 25.              | *47-044976-014  | Felt only                                  |

\* *Not Illustrated*



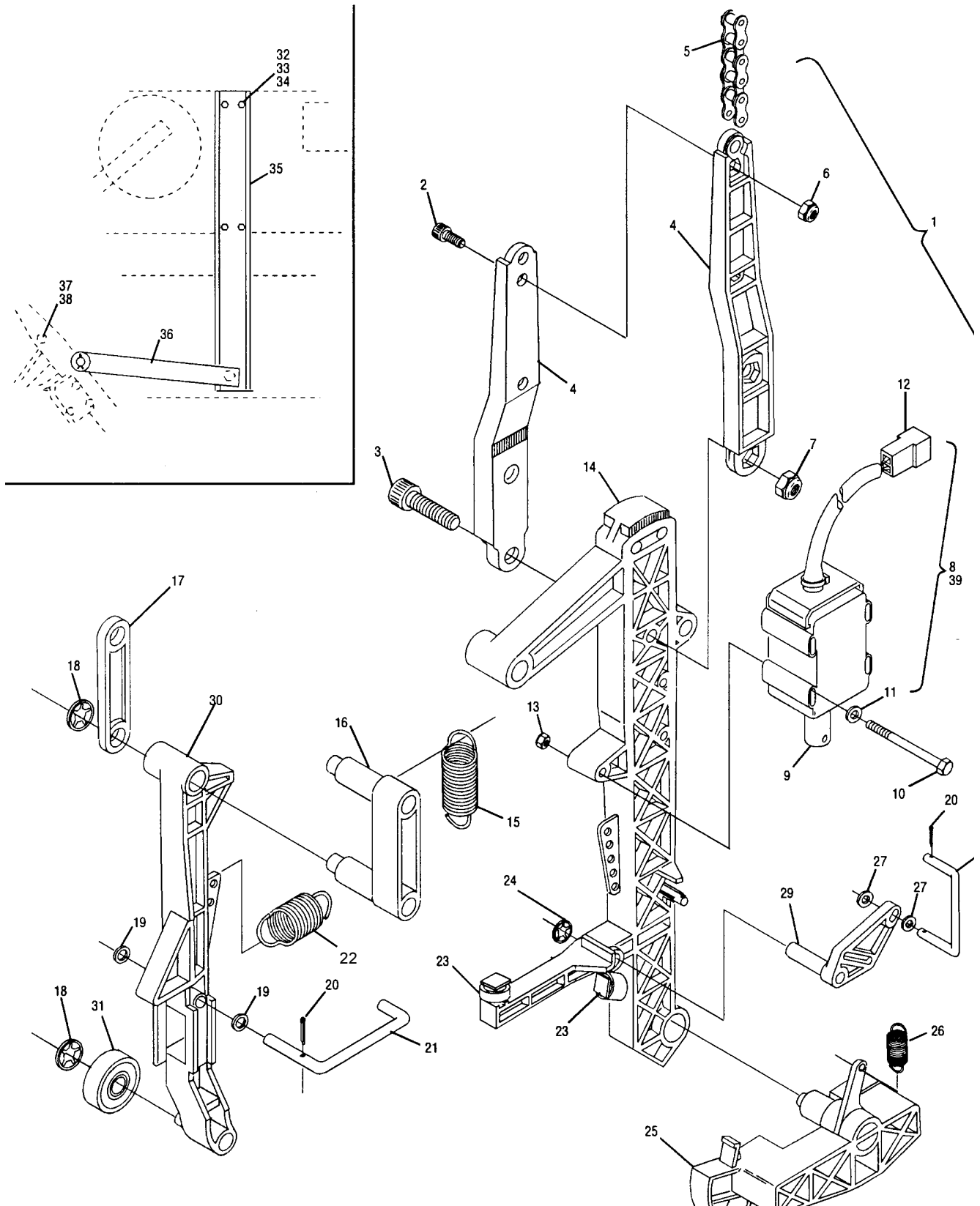
**Sweep Wagon Assembly - without Springs  
(Machine Series 424 and Above)**

| Index No. | Part No.       | Description  |
|-----------|----------------|--|
| 1.        | 47-041794-009  | Sweep Release/Holder Complete                          |
|           | 47-045566-009  | Sweep Release/Holder Complete (for Tower Down machine) |
| 2.        | 11-051509-001  | Socket Hd. Cap Screw (6 mm x 12 mm)                    |
| 3.        | 11-051518-001  | Socket Hd. Cap Screw (10 mm x 40 mm)                   |
| 4.        | 47-041786-003  | Yoke   |
| 5.        | 11-601005-000  | Chain Complete (includes Master Link)                  |
| 6.        | 11-051743-001  | Locknut (6 mm)   |
| 7.        | 11-051745-001  | Locknut (10 mm)  |
| 8.        | *99-060219-004 | Solenoid Assembly Complete (red box)                   |
| 9.        | 99-060133-004  | Plunger Only   |
| 10.       | 11-051063-001  | Hex Hd. Cap Screw (5 mm x 65 mm)                       |
| 11.       | 11-052039-001  | Flat Washer (5.3 mm x 15 mm x 1.6 mm)                  |
| 12.       | N.A.           | Plug Only  |
| 13.       | 11-051742-001  | Locknut (5 mm)   |
| 14.       | 47-041793-001  | Arm  |
| 15.       | 47-041792-004  | Tension Spring   |
| 16.       | 47-041787-003  | Spring Holder  |
| 17.       | 47-041976-004  | Tie Plate  |
| 18.       | 11-053480-001  | Starlock (10 mm)                                       |
| 19.       | 11-052005-001  | Flat Washer (5.3 mm x 10 mm x 1 mm)                    |
| 20.       | 11-051791-001  | Split Pin (1.6 mm x 10 mm)                             |
| 21.       | 47-045140-004  | Connecting Link with Starlock                          |
| 22.       | 47-041791-004  | Tension Spring   |
| 23.       | 47-043790-004  | Plastic Tube (12/16 x 12)                              |
| 24.       | 11-053478-001  | Starlock (8 mm)  |
| 25.       | 47-041783-003  | Tipper   |
| 26.       | 47-041790-004  | Tension Spring   |
| 27.       | 11-052025-001  | Flat Washer (4.3 mm x 9 mm x .8 mm)                    |
| 28.       | 47-045139-004  | Connecting Link with Starlock                          |
| 29.       | 47-041784-004  | Lever  |
| 30.       | 47-041788-002  | Swing Lever  |
| 31.       | 11-430006-000  | Bearing  |
| 32.       | 11-051038-001  | Hex Hd. Cap Screw (8 mm x 16 mm)                       |
| 33.       | 11-052003-001  | Flat Washer (8.4 mm x 17 mm x 1.2 mm)                  |
| 34.       | 11-051744-001  | Locknut (8 mm)   |
| 35.       | 47-040260-003  | Sweep Guide Lever Pivot                                |
| 36.       | 47-040283-003  | Sweep Guide Lever                                      |
| 37.       | 11-052024-001  | Flat Washer (13 mm x 30 mm x 1.6 mm)                   |
| 38.       | 11-051807-001  | Split Pin (12 mm x 20 mm)                              |
| 39.       | *47-243030-004 | Solenoid Assembly (silver box) Complete                |
| 40.       | 11-052028-001  | Flat Washer (10.5 mm)                                  |

*N.A. = No Longer Available*

*\*Does not include Index No. 9, Plunger*

## Sweep Release

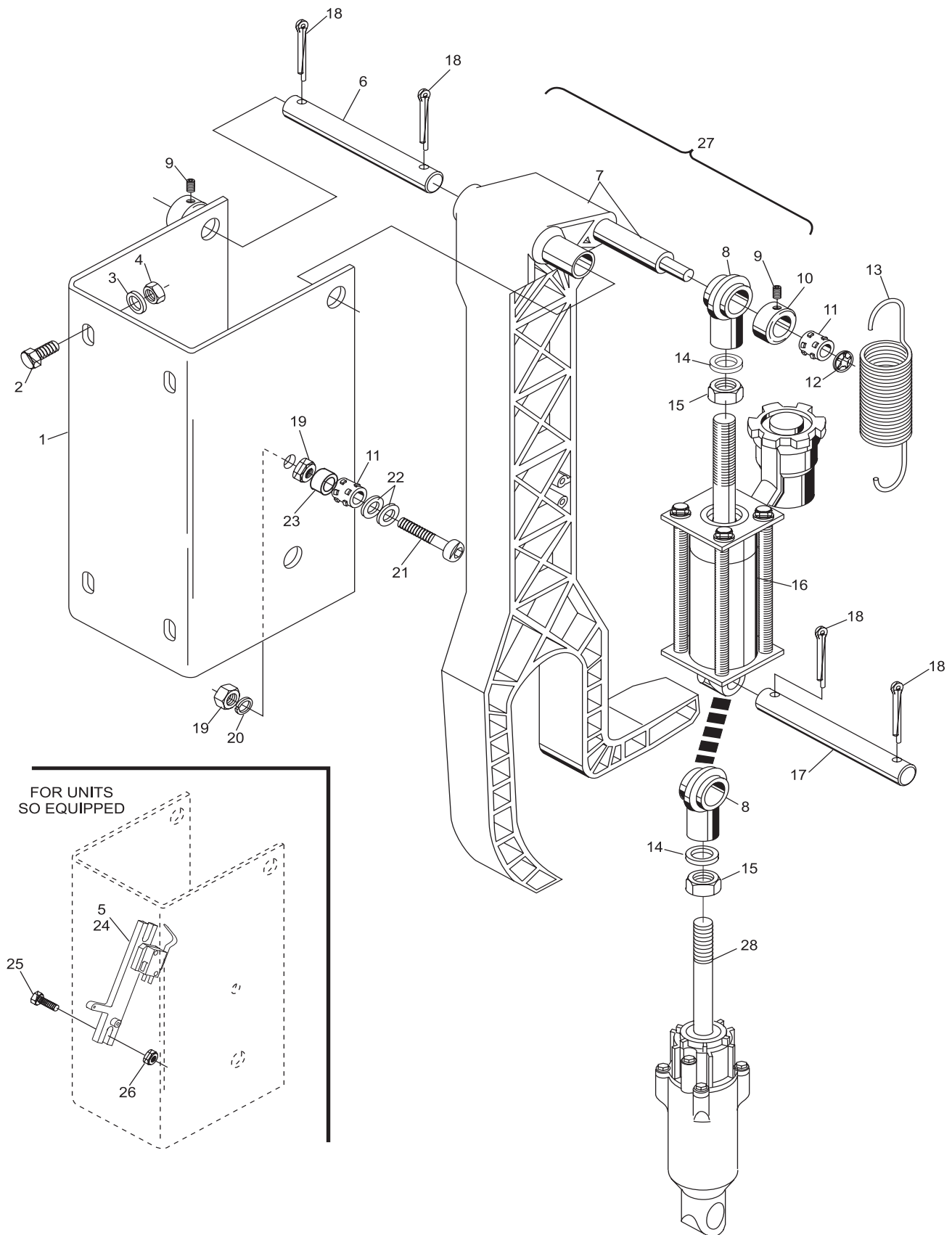


**Sweep Release**

| <b>Index No.</b> | <b>Part No.</b> | <b>Description</b>                     |
|------------------|-----------------|--|
| 1.               | 47-041814-003   | Holder                                 |
| 2.               | 11-051038-001   | Hex Hd. Cap Screw (8 mm x 16 mm)       |
| 3.               | 11-052003-001   | Flat Washer (8.4 mm x 17 mm x 1.6 mm)  |
| 4.               | 11-051744-001   | Locknut (8 mm)                         |
| 5.               | 47-243027-004   | Switch (silver box)                    |
| 6.               | 47-043698-004   | Top Shaft                              |
| 7.               | 47-041816-004   | Guide Hook                             |
| 8.               | 99-040151-004   | Connector Joint                        |
| 9.               | 11-053101-000   | Set Screw (6 mm x 8 mm)                |
| 10.              | 11-053616-001   | Stop Collar (15 mm x 25 mm x 12 mm)    |
| 11.              | 47-041813-004   | Bushing                                |
| 12.              | 11-053480-001   | Starlock (10 mm)                       |
| 13.              | 47-041810-004   | Tension Spring                         |
| 14.              | 11-051772-001   | Lockwasher (12 mm)                     |
| 15.              | 11-053154-001   | Jam Nut (12 mm)                        |
| 16.              | 99-040400-002   | Sweep Attenuator Hydraulic Complete    |
| 17.              | 47-041812-004   | Bottom Shaft (130 mm)                  |
| 18.              | 11-051787-001   | Split Pin (2 mm x 25 mm)               |
| 19.              | 11-051703-001   | Hex Nut (10 mm)                        |
| 20.              | 11-051771-001   | Lockwasher (10 mm)                     |
| 21.              | 11-051538-001   | Socket Hd. Cap Screw (10 mm x 50 mm)   |
| 22.              | 11-052035-001   | Flat Washer (10.5 mm x 18 mm x 1.6 mm) |
| 23.              | 47-043583-004   | Spacer                                 |
| 24.              | 99-050230-004   | Switch (red box)                       |
| 25.              | 11-052206-001   | Cap Screw (4 mm x 25 mm)               |
| 26.              | 11-051741-001   | Locknut (4 mm)                         |
| 27.              | N.A.            | Sweep Attenuator Assembly Complete     |
| 28.              | 99-040400-002   | Sweep Attenuator Hydraulic Complete    |

*N.A. = No Longer Available*

## **Sweep Attenuator Assembly**



**Sweep Attenuator Assembly**