

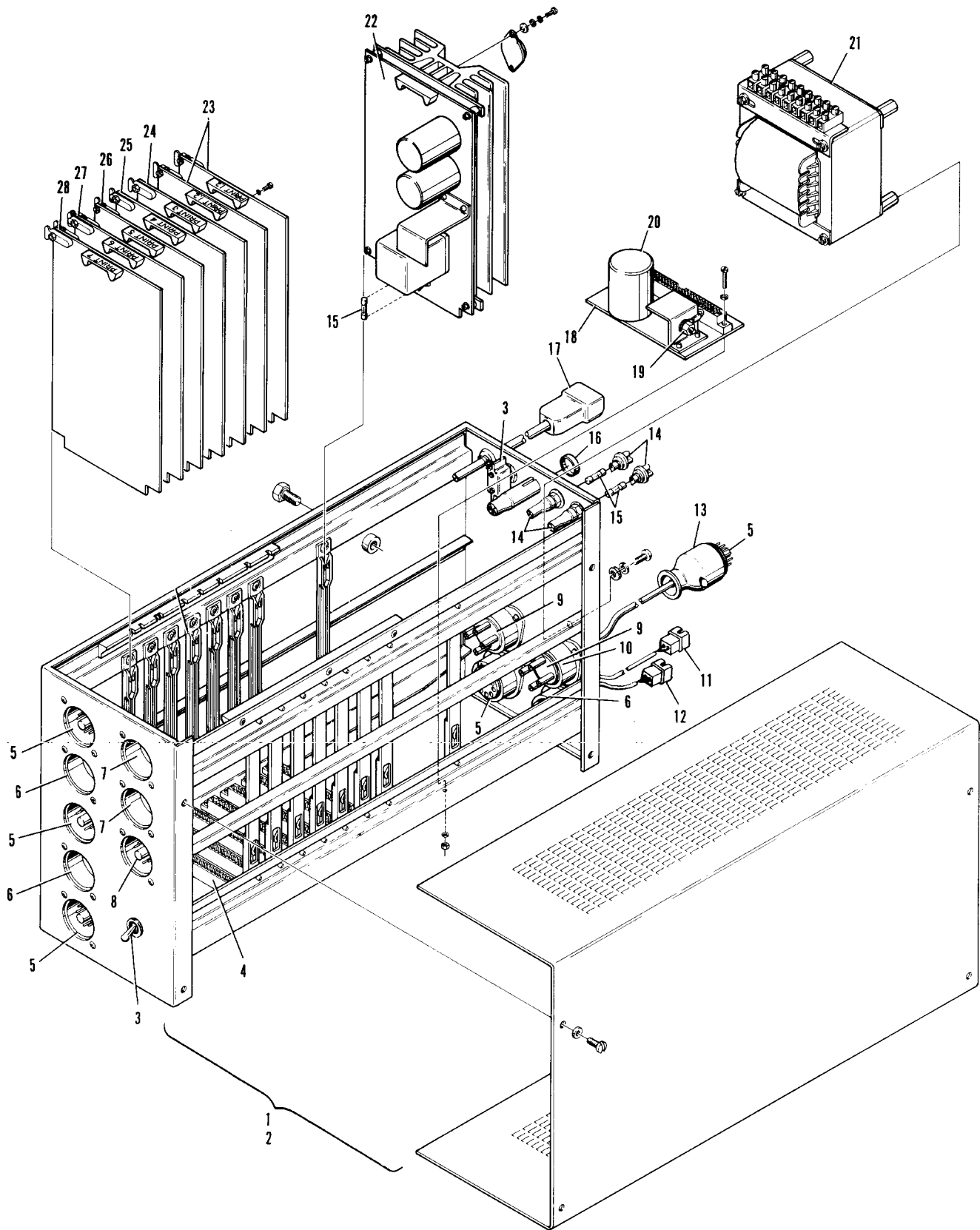
**Section L**

**RED BOX ELECTRICAL**

Index No.	Part No.	Description
1.	*47-200471-002	Low Voltage Box Assembly Complete
2.	*47-203137-000	Low Voltage Box Assembly without PCBs
3.	N.A.	Toggle Switch
4.	N.A.	PCB Socket
5.	47-223105-000	Amphenol Plug (11 position)
6.	N.A.	Amphenol Socket (11 position)
7.	47-203139-000	Amphenol Socket (6 position)
8.	47-213135-000	Amphenol Plug (8 position)
9.	N.A.	Amphenol Plug (4 position)
10.	N.A.	Amphenol Plug Support
11.	N.A.	Amphenol Receptacle with Contacts for B-2000
12.	47-242940-300	Cable with Molex Socket
13.	47-223108-000	Amphenol Cap
14.	N.A.	Fuse Holder
15.	47-203141-000	Fuse
16.	N.A.	Signal Lamp
17.	N.A.	Line Plug
18.	47-203005-003	PCB Number 9 Assembly
19.	N.A.	Diode
20.	N.A.	Capacitor
21.	46-200582-004	Transformer
22.	45-200107-004	PCB number 8 (power supply)
23.	47-200431-002	PCB numbers 1 & 2
24.	47-200432-002	PCB number 3
25.	47-200433-002	PCB number 4
26.	47-200434-002	PCB number 5
27.	47-200435-002	PCB number 6
28.	47-200436-002	PCB number 7

*N.A. = No Longer Available*

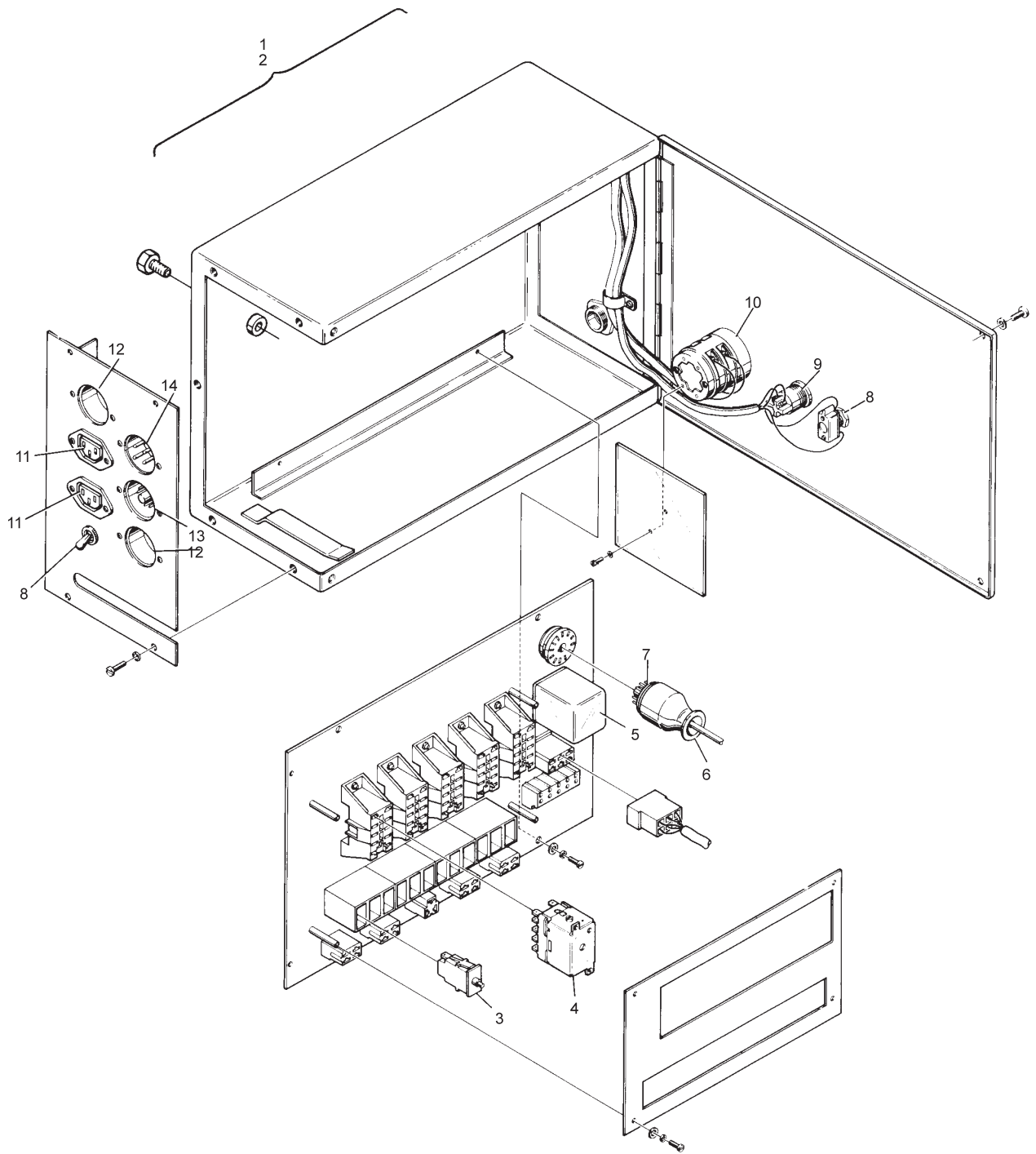
*\* With cables for B-2000 and AS-80, Position 7.*



Low Voltage Electrical Box

<b>Index No.</b>	<b>Part No.</b>	<b>Description</b>
1.	47-210475-002	High Voltage Box Assembly Complete (380V)
2.	47-213122-000	High Voltage Box Assembly Complete (220V)
3.	47-213123-000	Overload Breaker (1.0 Amp)
	47-213124-000	Overload Breaker (1.5 Amp)
	47-213125-000	Overload Breaker (1.8 Amp)
	47-213126-000	Overload Breaker (2.0 Amp)
	47-213127-000	Overload Breaker (2.5 Amp)
	47-213128-000	Overload Breaker (3.5 Amp)
4.	47-213129-000	Contactactor
5.	47-213130-000	Relay
6.	47-223108-000	Amphenol Cap
7.	47-223105-000	Connector
8.	N.A.	Toggle Switch
9.	47-213132-000	Push Button
10.	47-213133-000	Main Switch
11.	N.A.	Line Socket
12.	N.A.	Connector
13.	N.A.	Connector
14.	N.A.	Connector

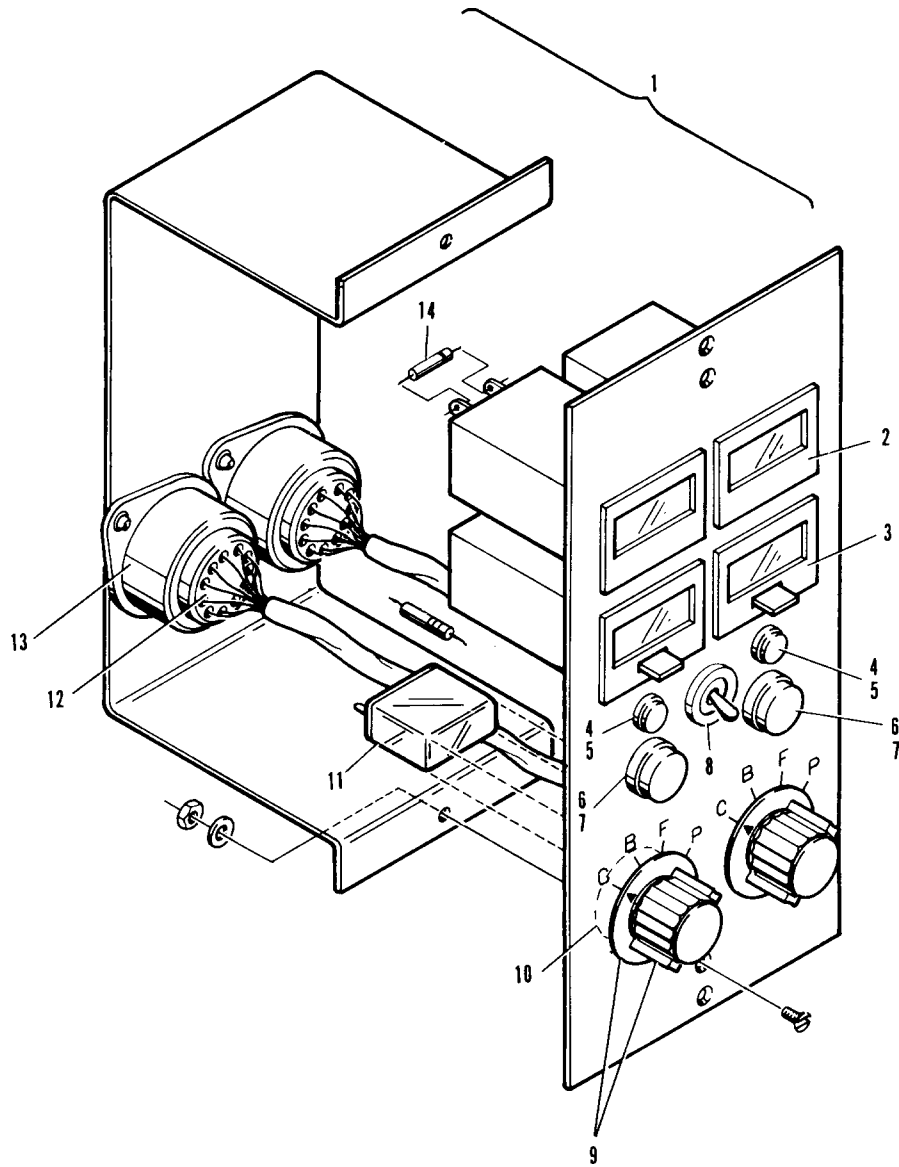
*N.A. = No Longer Available*



## High Voltage Electrical Box

<b>Index No.</b>	<b>Part No.</b>	<b>Description</b>
1.	N.A.	Manager's Control Assembly Complete
2.	47-223093-000	Counter (non-resettable)
3.	47-223094-000	Counter (resettable)
4.	47-223095-000	Failure Lamp Assembly with Bulb
5.	47-223096-000	Failure Lamp Bulb
6.	47-223097-000	Push Button Assembly with Lamp
7.	47-223098-000	On-Off Lamp
8.	N.A.	Toggle Switch
9.	47-223100-000	Switch Knob Assembly
10.	47-223103-000	Rotary Switch
11.	47-223104-000	Relay
12.	47-223105-000	Connector
13.	N.A.	Plug Support
14.	47-223106-000	Diode

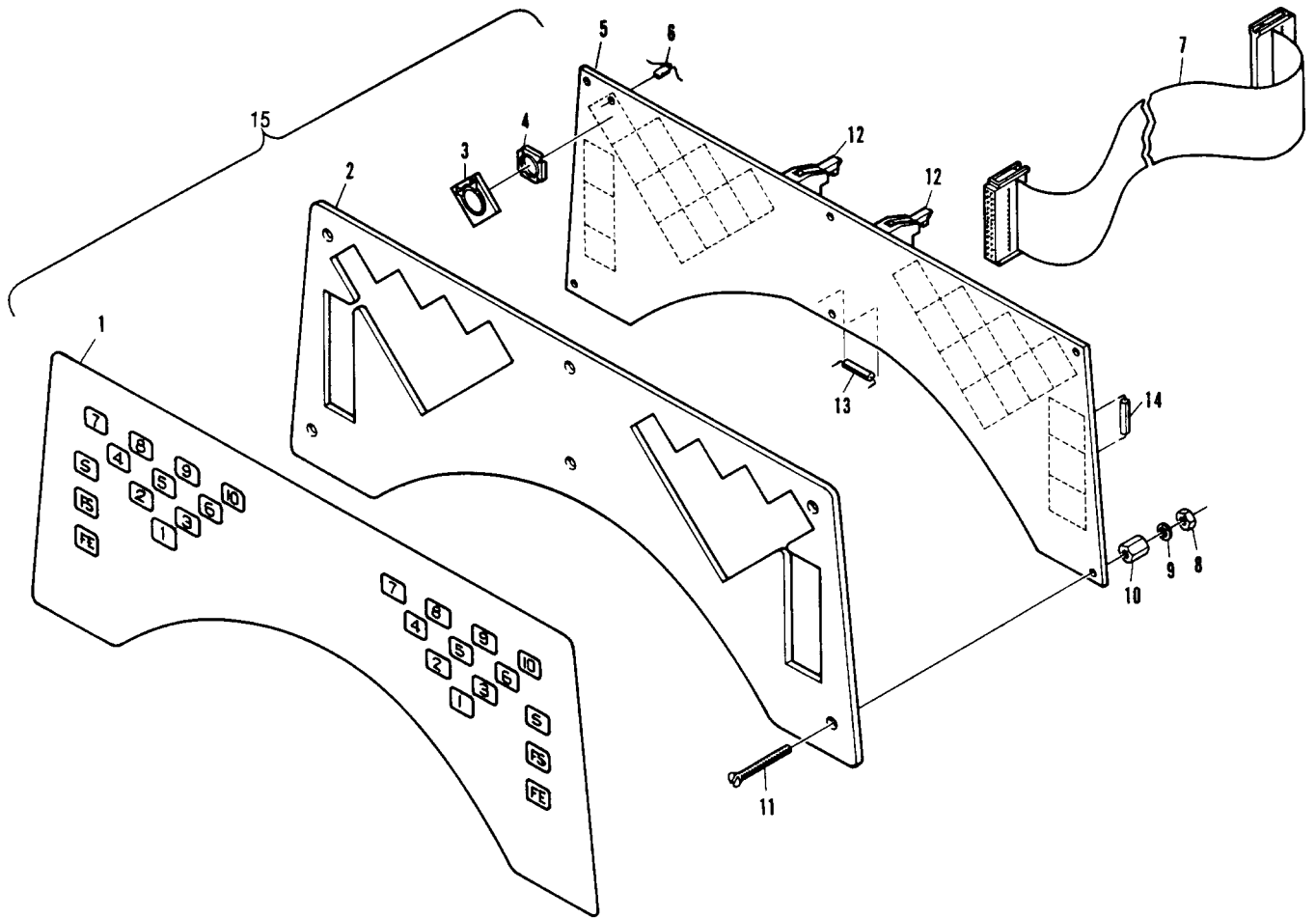
**Manager's Control  
Red Box Electrical**



**Manager's Control  
Red Box Electrical**

<b>Index No.</b>	<b>Part No.</b>	<b>Description</b>
1.	47-223049-001	Screening Foil
2.	47-223048-001	Spacer Plate
3.	47-223113-000	Key
4.	47-223114-000	Switch
5.	47-223046-002	Printed Circuit Board Assembly
6.	47-223115-000	LED
7.	47-223064-004	Flat Cable
8.	11-051746-001	Locknut (3 mm)
9.	11-052055-001	Flat Washer (3.2 mm x 7 mm x 0.5 mm)
10.	47-223118-000	Spacing Bolt (3 mm x 8 mm)
11.	11-052457-001	Std. Flat Hd. Machine Screw (3 mm x 30 mm)
12.	N.A.	Connector
13.	47-223121-000	Resistor
14.	47-223106-000	Diode
15.	47-223050-002	Player Control Board Complete

*N.A. = No Longer Available*

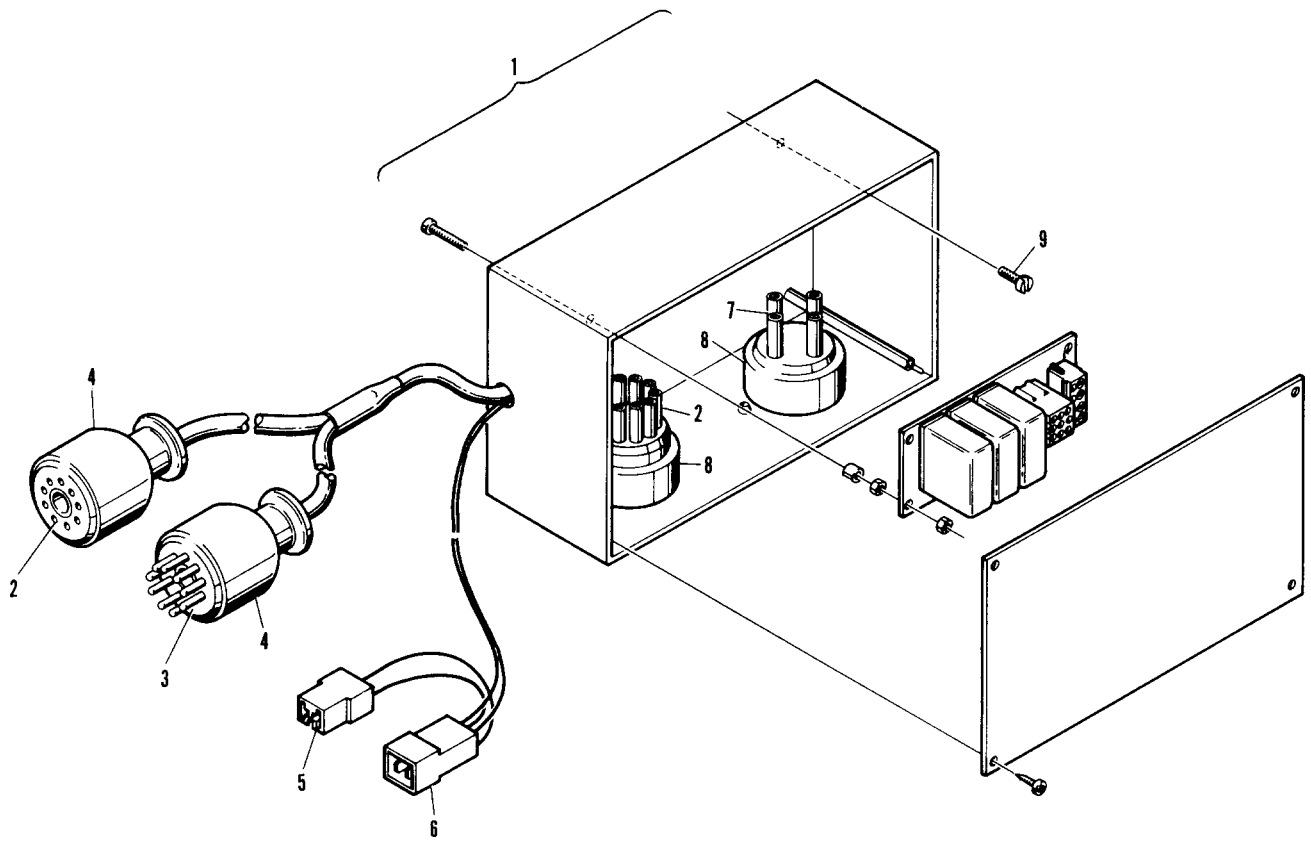


### Player Control Unit

<b>Index No.</b>	<b>Part No.</b>	<b>Description</b>
1.	47-223004-004	Player Control Box Assembly Complete
2.	N.A.	Connector
3.	47-223105-000	Connector
4.	47-223108-000	Amphenol Cap
5.	N.A.	Connector
6.	N.A.	Connector
7.	N.A.	Connector
8.	N.A.	Plug Support
9.	N.A.	Self-Tapping Screw (3.5 mm x 9.5 mm)

*N.A. = No Longer Available*

## **Player Control Connector Box**

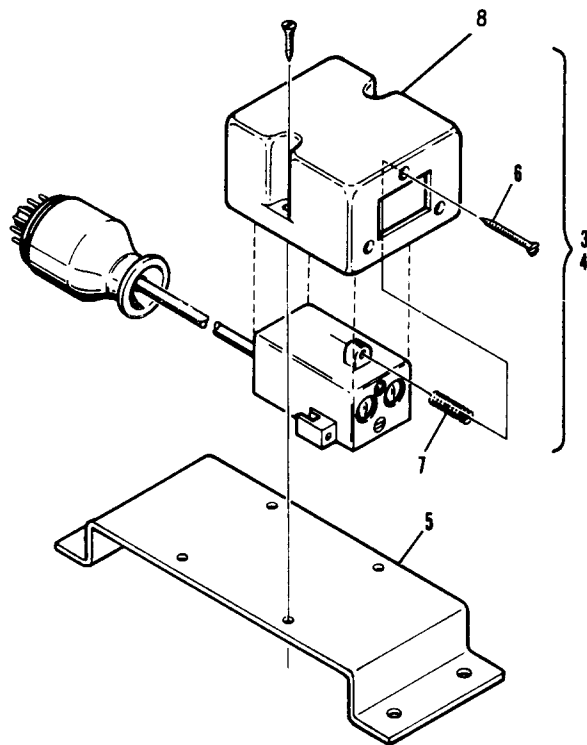
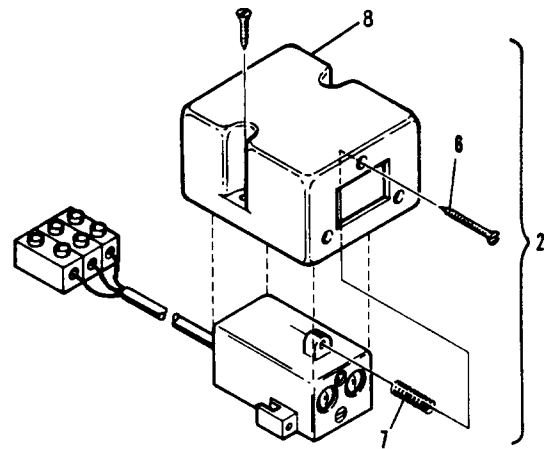
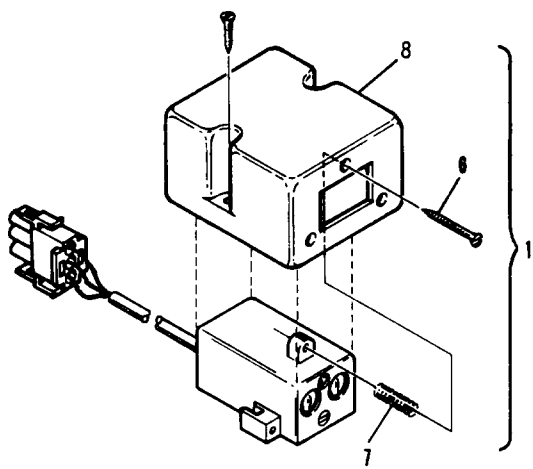


### Player Control Connector Box

<b>Index No.</b>	<b>Part No.</b>	<b>Description</b>
1.	99-080224-004	Foul Photocell 0.3m Cable (with AS-80)
2.	99-080243-004	Replacement Kit for Trigger & Foul Photocell 0.12m Cable (with or without AS-80)
3.	99-080215-004	Trigger Photocell 3.6m cable (with or with o AS-80)
4.	99-080216-004	Foul Photocell 22m Cable (without AS-80)
5.	N.A.	Support Bracket
6.	N.A.	Flat Hd. Self Tapping Screw (2.9 mm x 25 mm)
7.	99-080180-004	Spring
8.	99-080186-003	Connector

*N.A. = No Longer Available*

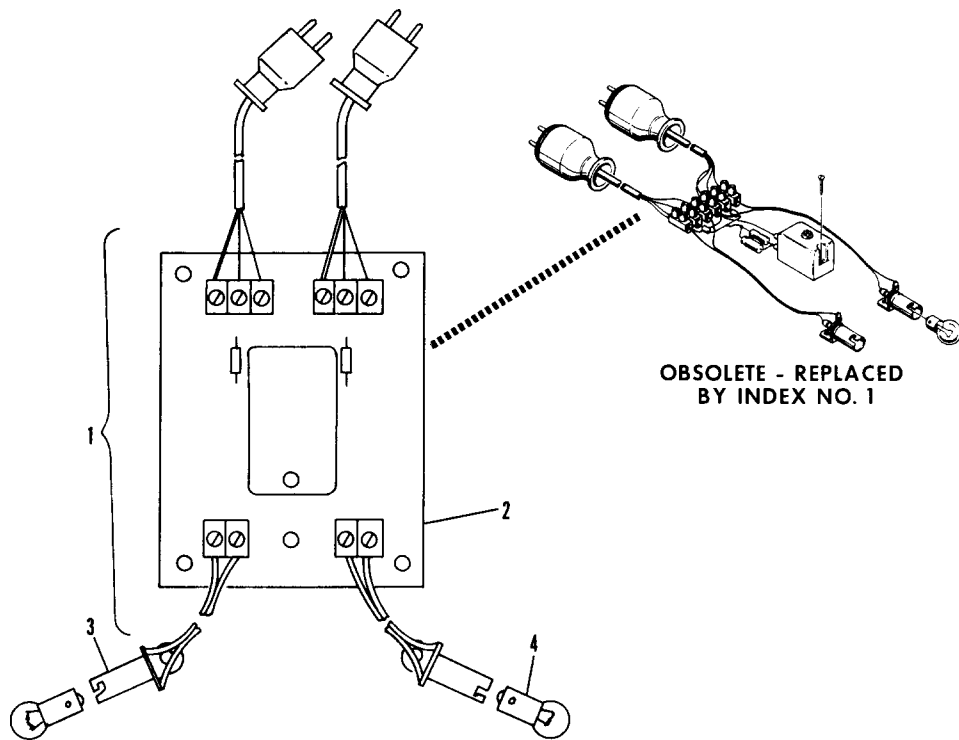
## **Foul and Trigger Photocells**



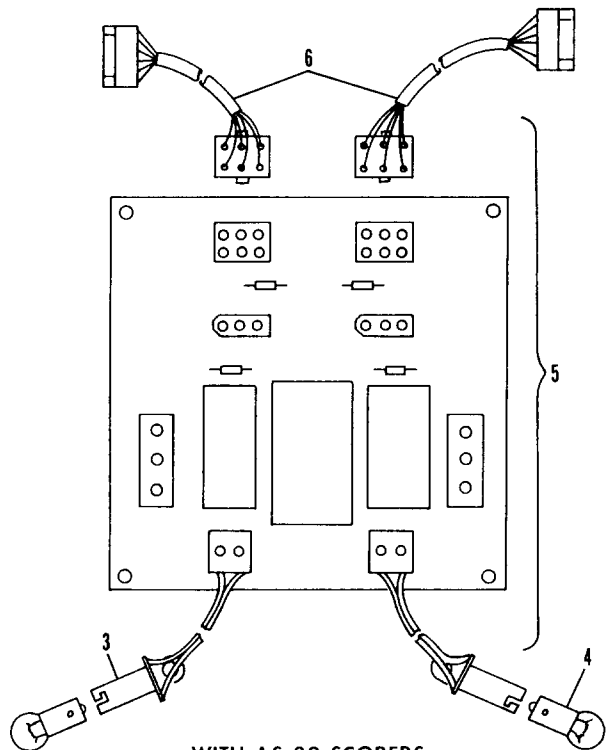
**Foul and Trigger Photocells**

<b>Index No.</b>	<b>Part No.</b>	<b>Description</b>
1.	N.A.	B-2000 Tel-E-Foul Assembly with Cables Complete
2.	47-223068-004	PCB Assembly
3.	N.A.	Lamp Socket
4.	47-223091-000	Lamp
5.	47-223057-004	PCB Assembly
6.	47-242944-000	Cable

*N.A. = No Longer Available*



WITHOUT AS-80 SCORERS



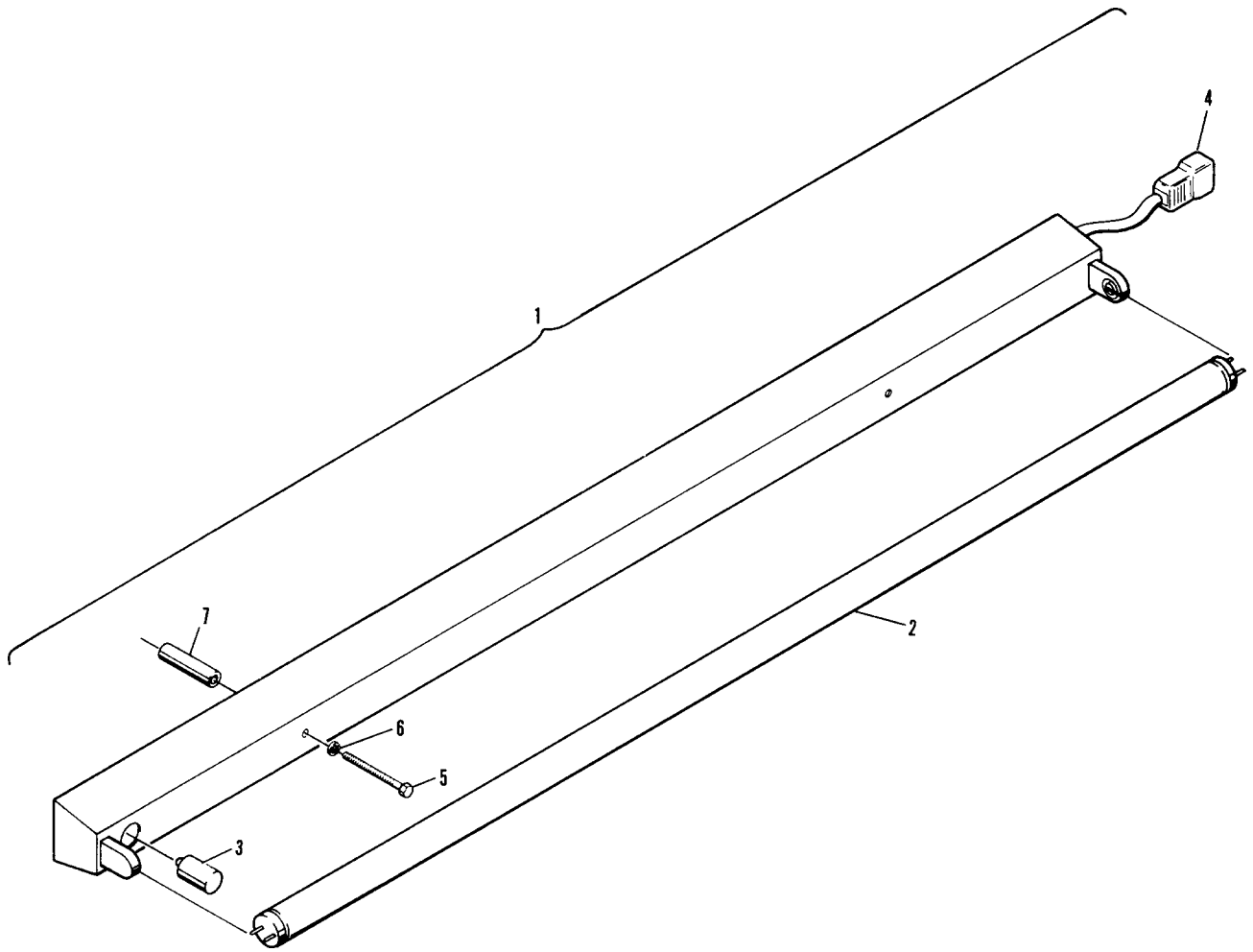
WITH AS-80 SCORERS

**Tel-E-Foul Connection Boards**

**Index**

<b>No.</b>	<b>Part No.</b>	<b>Description</b>
1.	47-223074-004	Pin Light Assembly Complete (red box)
2.	47-203146-000	Lamp
3.	47-203147-000	Starter
4.	N.A.	Plug
5.	11-051060-001	Hex Hd. Cap Screw (6 mm x 70 mm)
6.	11-051769-001	Lockwasher (6 mm)
7.	47-083699-004	Spacer

*N.A. = No Longer Available.*

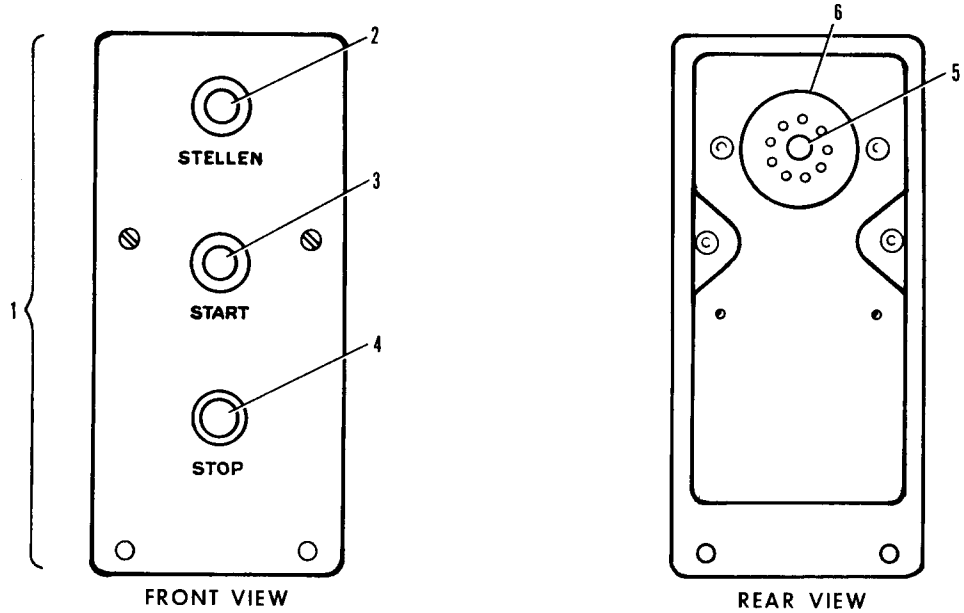


## Pin Light Assembly

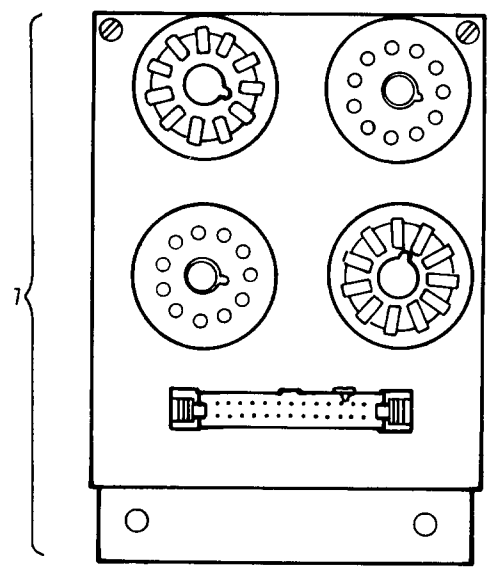
<b>Index No.</b>	<b>Part No.</b>	<b>Description</b>
1.	47-201385-004	Remote Control Box Assembly
2.	47-203148-000	Push Button (green)
3.	47-203149-000	Push Button (black)
4.	47-203150-000	Magnetic Switch Assembly
5.	47-223105-000	Amphenol Plug (11 Pin)
6.	N.A.	Amphenol Plug Support
7.	N.A.	Connection Board Assembly

*N.A. = No Longer Available*

## **Remote (Rear) Control Box and Connection Board Assembly**



REMOTE (REAR) CONTROL BOX

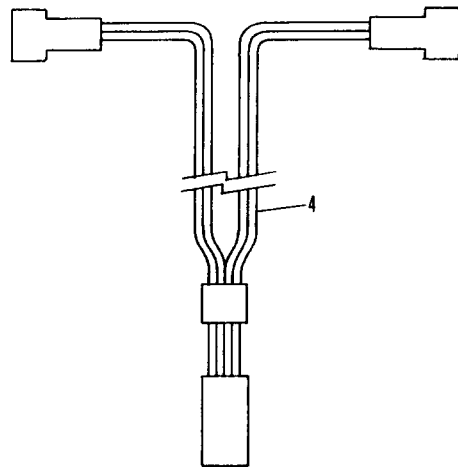
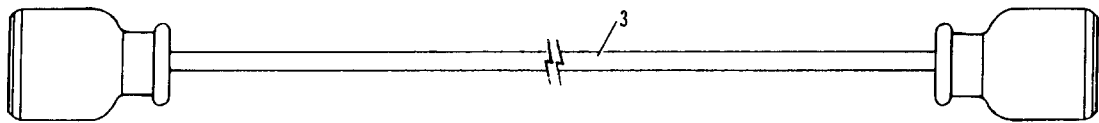
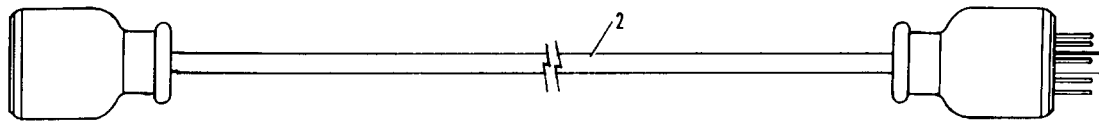
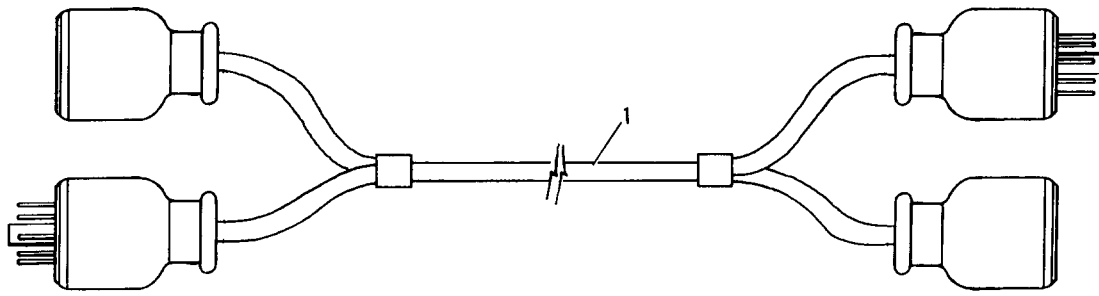


CONNECTION BOARD ASSEMBLY

**Remote (Rear) Control Box and Connection Board Assembly**

<b>Index No.</b>	<b>Part No.</b>	<b>Description</b>
1.	N.A.	Lane Cable, (22 pin, 30m long)
2.	N.A.	Lane Cable, (11 pin, 30m long)
3.	45-240163-004	Common Cable for Accelerator, (2 pin, 4m long)
4.	47-223013-004	Ball Rack Common Cable

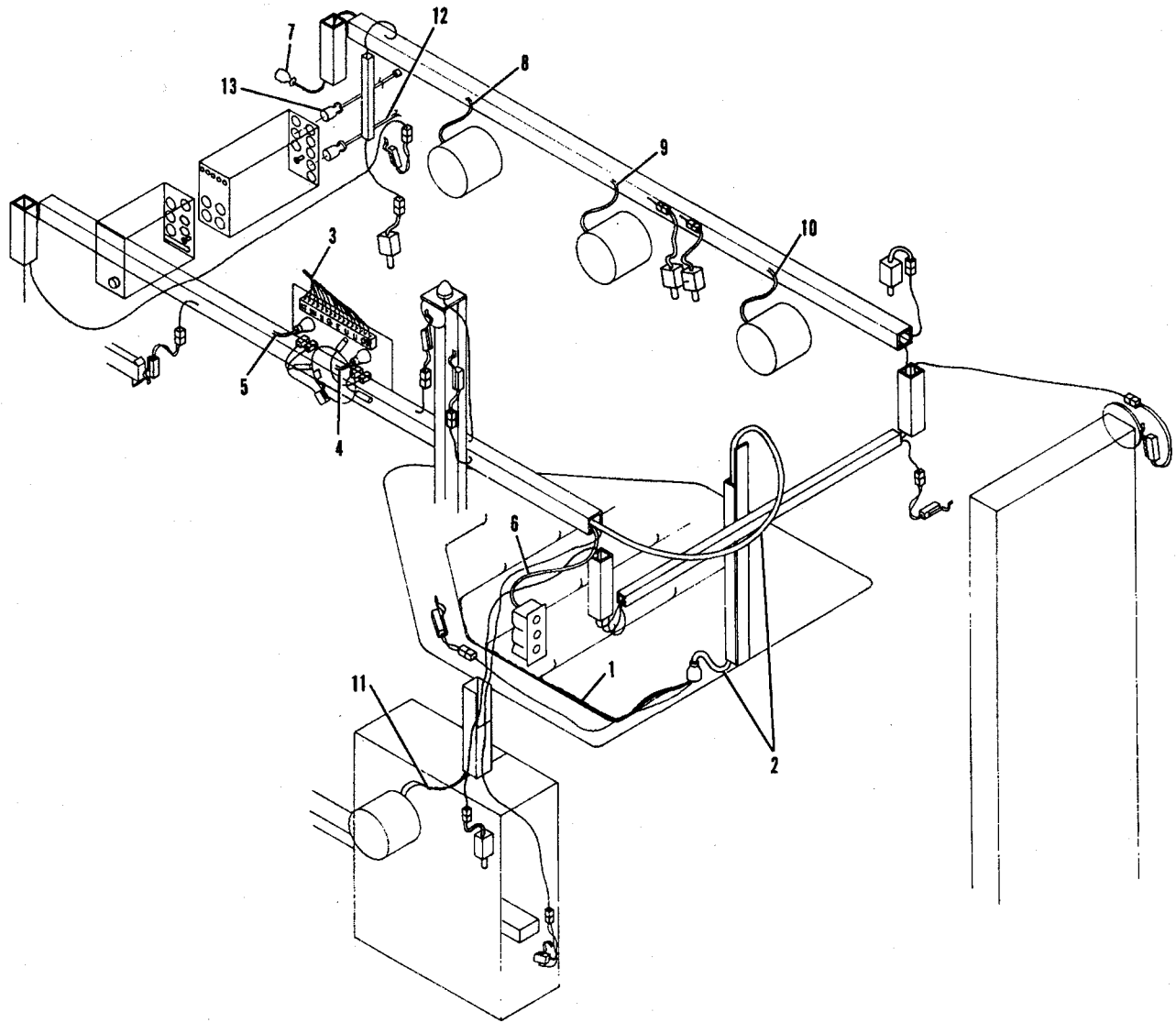
*N.A. = No Longer Available*



**Forward Cables**

<b>Index No.</b>	<b>Part No.</b>	<b>Description</b>
1.	47-241387-004	Setting Table Harness (red box) - 3 pin connector
2.	47-241379-004	Setting Table Connection Cable
3.	47-241375-004	Switch Cable Harness (E,G,H,KK,U1 & U2)
4.	47-241377-004	KSE Cable, (8 pin)
5.	47-241395-004	KSS Cable, (11 pin)
6.	47-223061-004	T2 Cable, (11 pin)
7.	47-241376-004	Solenoid Cable Harness
8.	47-223011-004	Elevator Motor Cable
9.	47-223010-004	Sweep Motor Cable
10.	47-223009-004	Table Motor Cable
11.	47-223012-004	Accelerator Motor Cable
12.	47-243017-004	Lane Cable Adaptor (key)
13.	47-243016-004	Photocell Adaptor

## **Machine Cables**



## Machine Cables