

Section D

OVERHEADS

Index No.	Part No.	Description
1.	57-861635-000	Fuse, 2.0A, 250-Volt Slow Blow (110/120 VAC)
	57-861636-000	Fuse, 1.0A, 250-Volt Quick Blow (220/240 VAC)
2.	11-185270-000	PCB Stand Off w/Adhesive Backing
3.	11-082627-001	Self-Tapping Screw (#4-24 x 1/4")
4.	57-300242-000	AC Power Panel
5.	11-082667-001	Pan Hd. C.R. Screw (#8-18 x 1/2")
6.	57-300366-000	AC Power Receptacle (115V/220V) Assembly
7.	11-176007-001	Keps Nut (#8-32)
8.	57-300037-000	Overhead Monitor Bezel
9.	57-300116-000	"J" Bolt
10.	57-861172-000	RGBC Terminator
11.	11-125102-001	Nut
12.	57-860787-000	Color CRT Package w/Yoke Assembly
13.	11-010781-001	Flanged Hex Hd. Cap Screw (1/4-20 x 3/4")
14.	11-195014-001	Lockwasher
15.	11-191011-001	Plain Washer
16.	57-300119-000	Degaussing Coil
17.	57-300138-000	AC Panel to Video Rec. Cable Assembly (refer to Cable section for further breakdown)
18.	11-012022-001	Pan Hd. C.R. Screw W/Lockwasher (#6-32 x 3/8")
19.	57-861260-000	Video Receiver PCB (Brunswick Repair/Exchange)
20.	57-861187-000	Adjustment PCB w/Cable
21.	57-214276-008	Door Retaining Latch
22.	57-300221-000	Door Assembly
23.	57-300010-000	Color Overhead Monitor Enclosure
24.	11-012132-001	Pan Hd. Screw w/Lockwasher (1/4-20 x 1/2")
25.	11-611608-000	Snap-In Insulator Bushing
26.	57-300365-000	Transformer Assembly (round) - illustrated
	57-215794-000	Transformer Assembly (square) - not illustrated
27.	11-002008-001	Hex Head Cap Screw (1/4-20 x 2")
28.	57-300118-000	Yoke Cable Assembly (refer to Cable section for further breakdown)
29.	57-861307-000	27" Ceronix Main PCB & Neck Board Assembly
30.	11-012503-001	Pan Hd. Screw W/Lockwasher (#4-40 x 5/16")
31.	57-300032-000	Overhead Video Cable Assembly (refer to Cable section for further breakdown)
32.	57-215809-000	Monitor Power Assembly
33.	57-300030-000	Overhead Power Control Cable Assembly (refer to Cable section for further breakdown)
34.	11-672522-000	Relay (12VDC DPST)
35.	57-300172-000	Door Retaining Cable
36.	11-176000-001	Keps Nut
37.	10-131006-000	U-Bolt (1-3/4")
38.	*57-861324-000	Internal Parts Replacement Kit. Contains Item nos. 1,12,26,29, and 16.

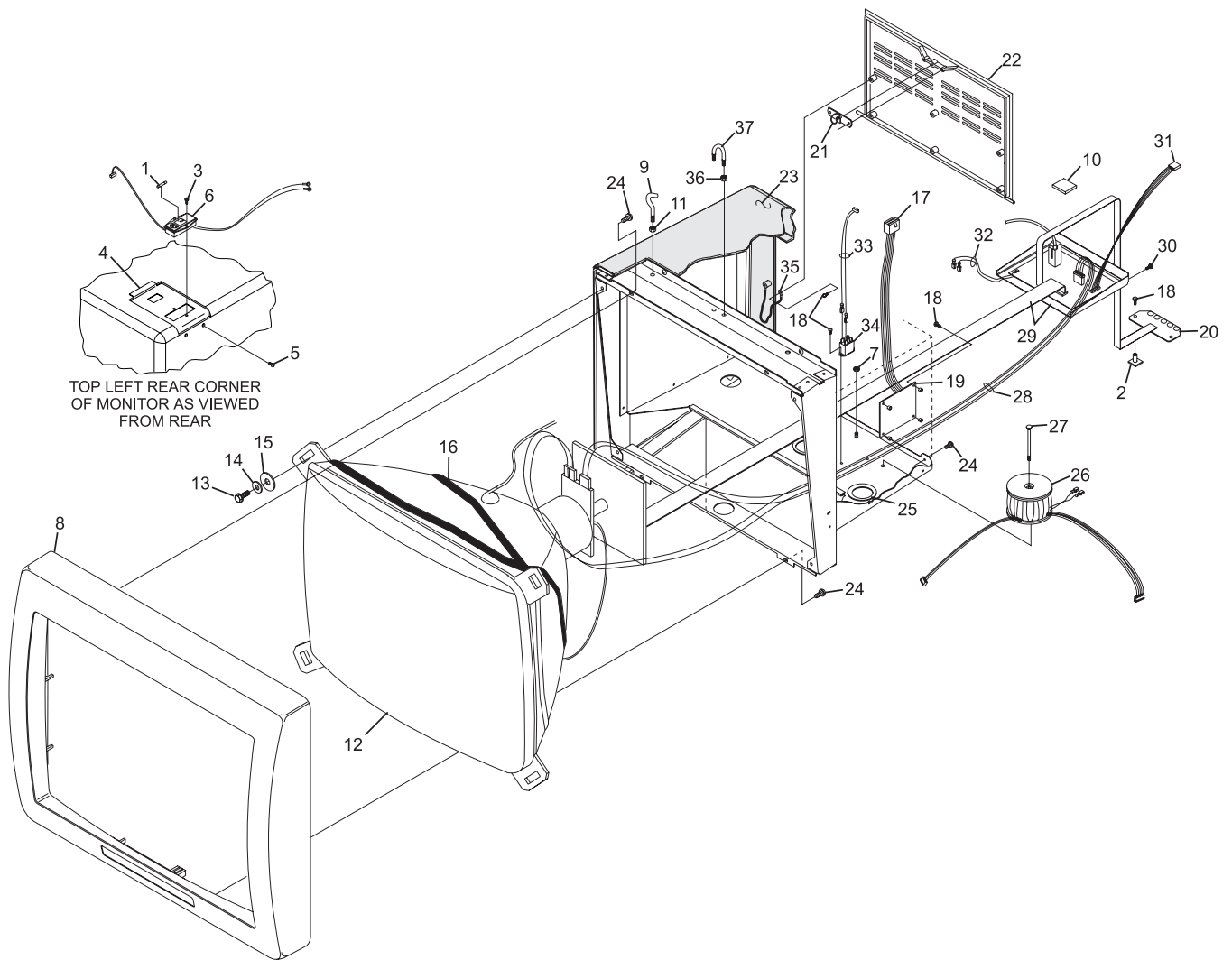
* *Not Illustrated*

NOTE: To swap out new enclosure on older monitor frame, order six PCB Stand-offs, part number 11-185270-000, and six screws, part number 11-012022-001. Mount item numbers 17 and 20 on the inside surface of the enclosure.

Associated Interconnecting Cables

57-300026-000 Overhead Monitor Video Input (Left)

Frameworkx 27" Color Overhead Monitor



Framework 27" Color Overhead Monitor

Index No.	Part No.	Description
1.	57-861635-000	Fuse, 2.0A, 250-Volt Slow Blow (110/120 VAC)
	57-861636-000	Fuse, 1.0A, 250-Volt Quick Blow (220/240 VAC)
2.	11-185270-000	PCB Stand Off w/Adhesive Backing
3.	11-014002-001	Flat Head C.R. Screw (#4-40 x 3/8")
4.	57-300171-000	AC Power Panel
5.	11-012060-001	Pan Hd. C.R. Screw w/Lockwasher (#38-32 x 1/2")
6.	57-300366-000	AC Power Receptacle (115V/220V) Assembly
7.	11-176007-001	Keps Nut (#8-32)
8.	57-300037-000	Overhead Monitor Bezel
9.	57-300116-000	"J" Bolt
10.	57-861201-000	RGBC Terminator
11.	11-125102-001	Nut
12.	57-860787-000	Color CRT Package w/Yoke Assembly
13.	11-010781-001	Flanged Hex Hd. Cap Screw (1/4-20 x 3/4")
14.	11-195014-001	Lockwasher
15.	11-191011-001	Plain Washer
16.	57-300119-000	Degaussing Coil
17.	57-300138-000	AC Panel to Video Rec. Cable Assembly (refer to Cable section for further breakdown)
18.	11-012022-001	Pan Hd. C.R. W/Lockwasher (#6-32 x 3/8")
19.	57-860931-4xx	TV Only/Video Receiver PCB (Brunswick Repair/Exchange)
20.	57-861187-000	Adjustment PCB w/Cable
21.	57-214276-008	Door Retaining Latch
22.	57-300221-000	Door Assembly
23.	57-300010-000	Color Overhead Monitor Enclosure
24.	11-012132-001	Pan Hd. Screw w/Lockwasher (1/4-20 x 1/2")
25.	11-611608-000	Snap-In Insulator Bushing
26.	57-300365-000	Transformer Assembly (round) - illustrated
	57-215794-000	Transformer Assembly (square) - not illustrated
27.	11-002008-001	Hex Head Cap Screw (1/4-20 x 2")
28.	57-300118-000	Yoke Cable Assembly (refer to Cable section for further breakdown)
29.	57-861307-000	27" Ceronix Main PCB & Neck Board Assembly
30.	11-012503-001	Pan Hd. Screw W/Lockwasher (#4-40 x 5/16")
31.	57-300032-000	Overhead Video Cable Assembly (refer to Cable section for further breakdown)
32.	57-215809-000	Monitor Power Assembly
33.	57-300030-000	Overhead Power Control Cable Assembly (refer to Cable section for further breakdown)
34.	11-672522-000	Relay (12VDC DPST)
35.	57-300172-000	Door Retaining Cable
36.	11-176000-001	Keps Nut
37.	10-131006-000	U-Bolt (1-3/4")
38.	57-300216-000	Power Entry Panel/Video Receiver Cable Assembly
39.	*57-861324-000	Internal Parts Replacement Kit. Contains Item nos. 1,12,26,29, and 16.

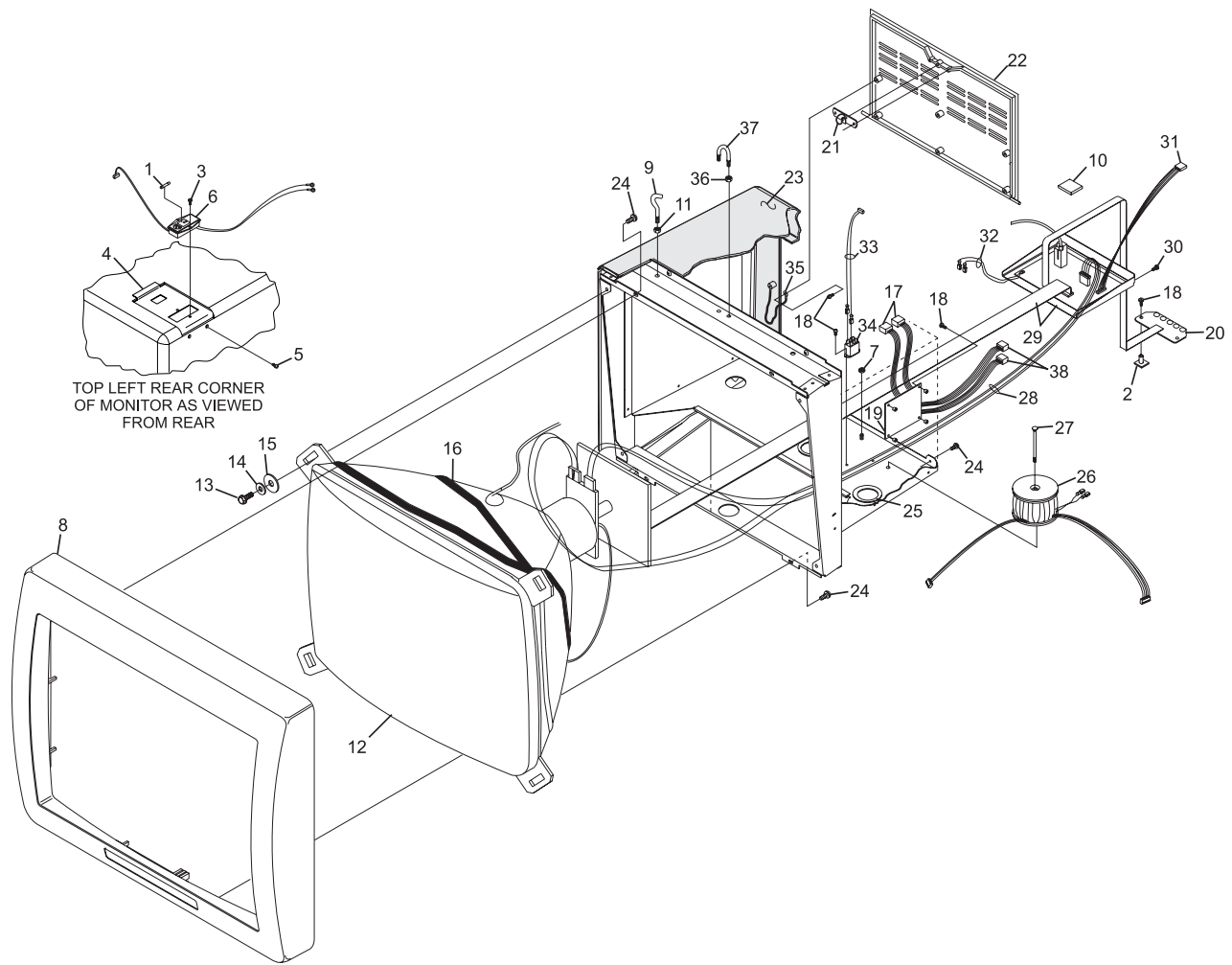
* Not Illustrated

NOTE: To swap out new enclosure on older monitor frame, order six PCB Standoffs, part number 11-185270-000, and mount item numbers 17 and 20 on the inside surface of the enclosure.

Associated Interconnecting Cables

27-609857-000	TV Only
57-300031-000	Pinsetter Interface to TV Only Local LAN
57-300099-000	Pinsetter Interface to TV Only Local LAN (Extra Long)
57-300139-000	Overhead TV Only Lane Lane Pair to Lane Pair
57-300643-000	Optional TV Only LAN Cable (GS-X) Pinsetters

Framework 27" TV Only Overhead Monitor

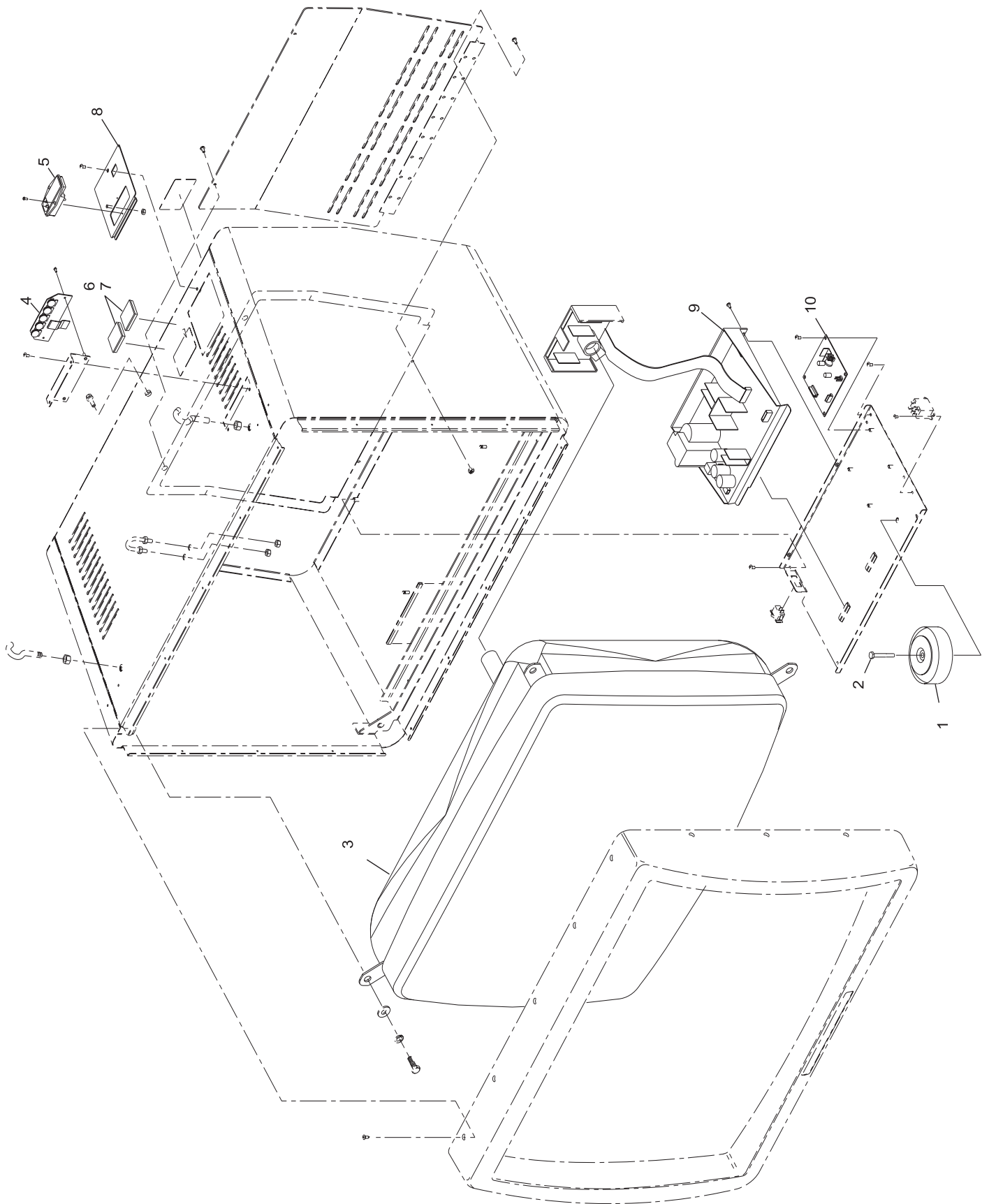


Framework 27" TV Only Overhead Monitor

Index No.	Part No.	Description
1.	57-300365-000	Transformer Assembly
2.	11-002008-001	Hex Head Cap Screw (1/4-20 x 2")
3.	57-301010-000	36" CRT
4.	57-301031-000	Remote PCB Assembly w/Cable
5.	57-301032-000	A.C. Power Receptacle
6.	57-861873-000	Package - Slow Blo Fuses (1.6 A 250V)
7.	57-861874-000	Package - Slow Blo Fuses (3.0 A 250V)
8.	57-301024-000	Panel - Power Entry
9.	57-301027-000	Main PCB Set Assembly
10.	57-861260-000	Video Receiver PCB Assembly

Associated Interconnecting Cables

57-300026-000	Overhead Monitor Video Input
---------------	------------------------------

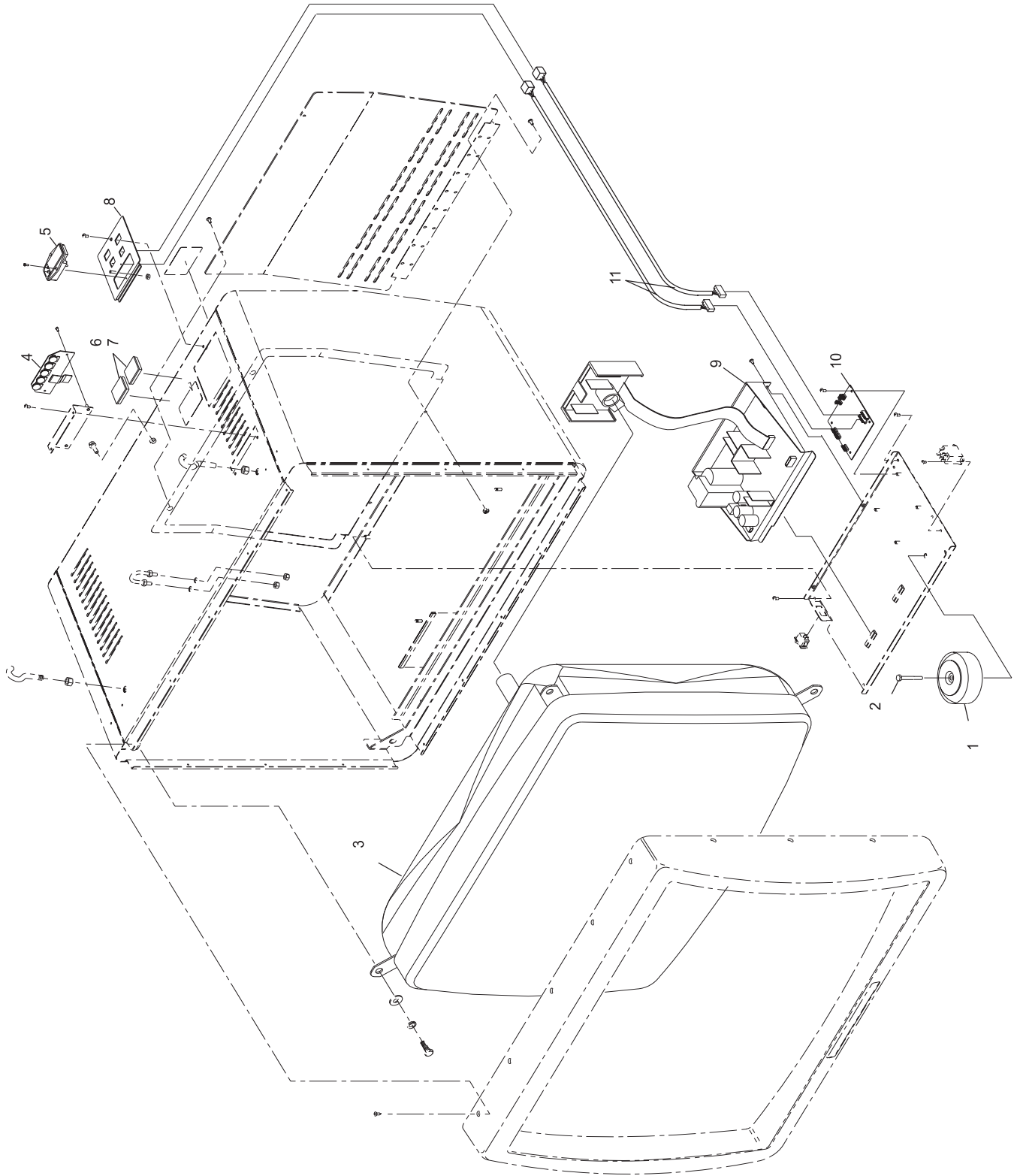


Framework 36" Color Overhead Monitor

Index No.	Part No.	Description
1.	57-300365-000	Transformer Assembly
2.	11-002008-001	Hex Head Cap Screw (1/4-20 x 2")
3.	57-301010-000	36" CRT
4.	57-301031-000	Remote PCB Assembly with Cable
5.	57-301032-000	A.C. Power Receptacle
6.	57-861873-000	Package - Slow Blo Fuses (1.6 A 250V)
7.	57-861874-000	Package - Slow Blo Fuses (3.0 A 250V)
8.	57-301023-000	Panel Entry - TV Only
9.	57-301027-000	Main PCB Set Assembly
10.	57-860931-4XX	Video Receiver PCB Assembly - TV Only
11.	57-301030-000	Power Panel to Video Receiver Cable Assembly

Associated Interconnecting Cables

27-609857-000	TV Only
57-300643-000	Optional TV Only LAN Cable (GS-X Pinsetters)
57-300031-000	Pinsetter Interface to TV Only Local LAN
57-300099-000	Pinsetter Interface to TV Only Local LAN (Extra Long)
57-300139-000	Overhead TV Only Lane Lane Pair to Lane Pair

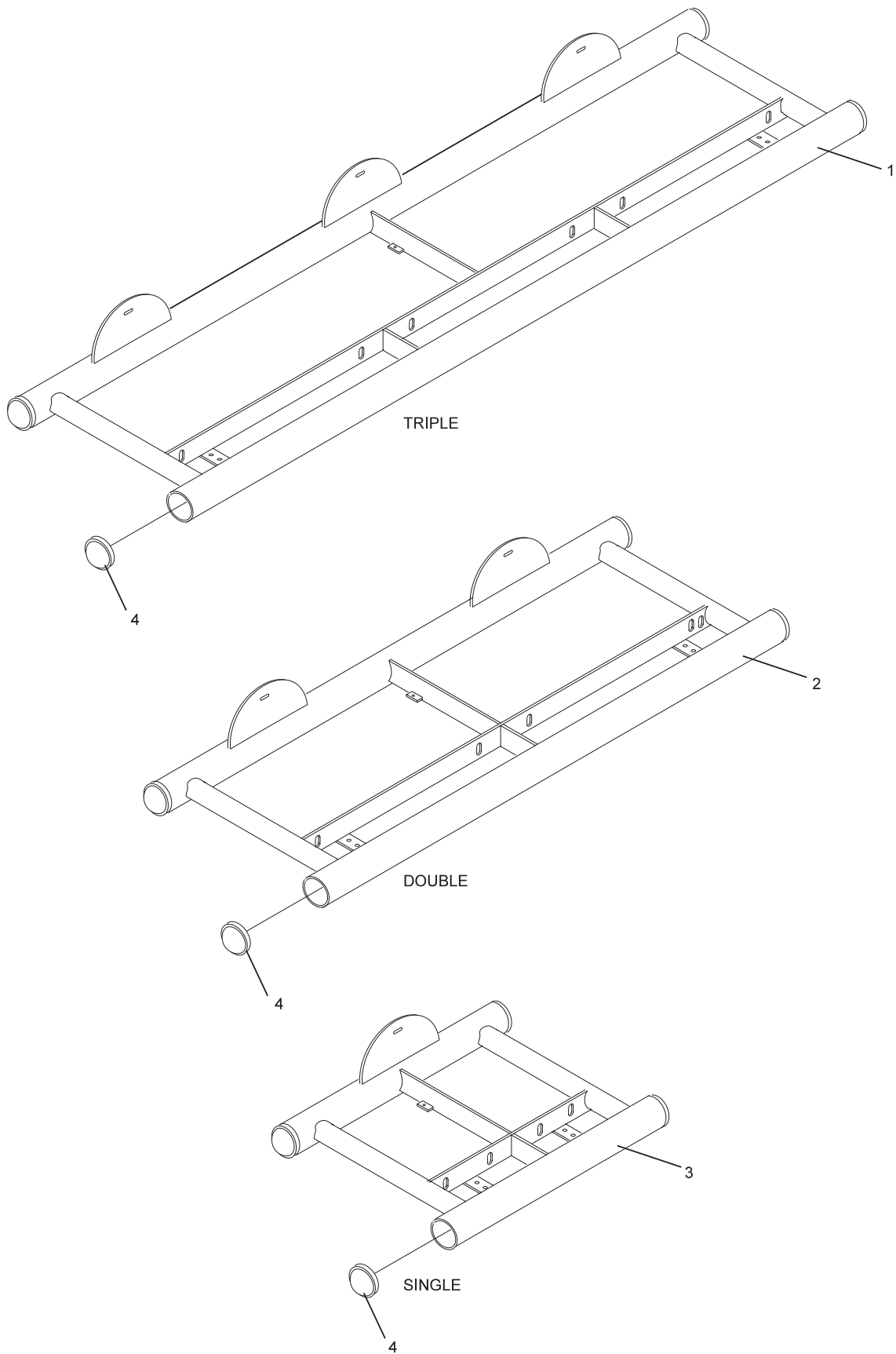


Framework 36" TV Only Overhead Monitor

Index

No.	Part No.	Description
1.	57-860919-000	Triple Rack Assembly
2.	57-860918-000	Double Rack Assembly
3.	57-860917-000	Single Rack Assembly
4.	57-300107-000	3" End Cap

Frameworkx 27" Overhead Monitor Rack Assembly

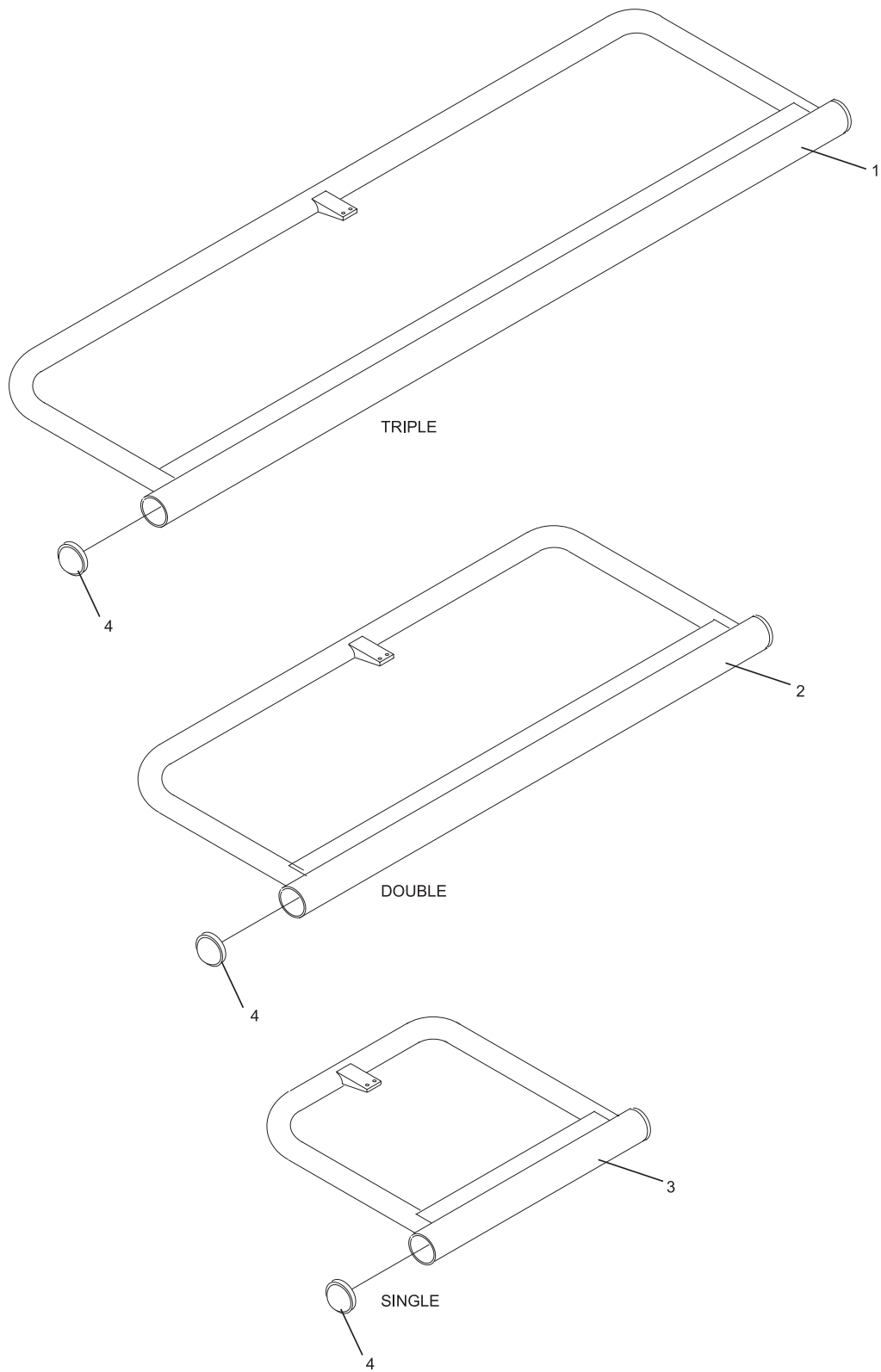


Framework 27" Overhead Monitor Rack Assembly

Index

No.	Part No.	Description
1.	57-860984-000	Triple, Tube Rack Assembly
2.	57-860983-000	Double, Tube Rack Assembly
3.	57-860985-000	Single, Tube Rack Assembly
4.	57-300107-000	3" End Cap

Frameworkx 27" Overhead Monitor Tube Rack Assembly

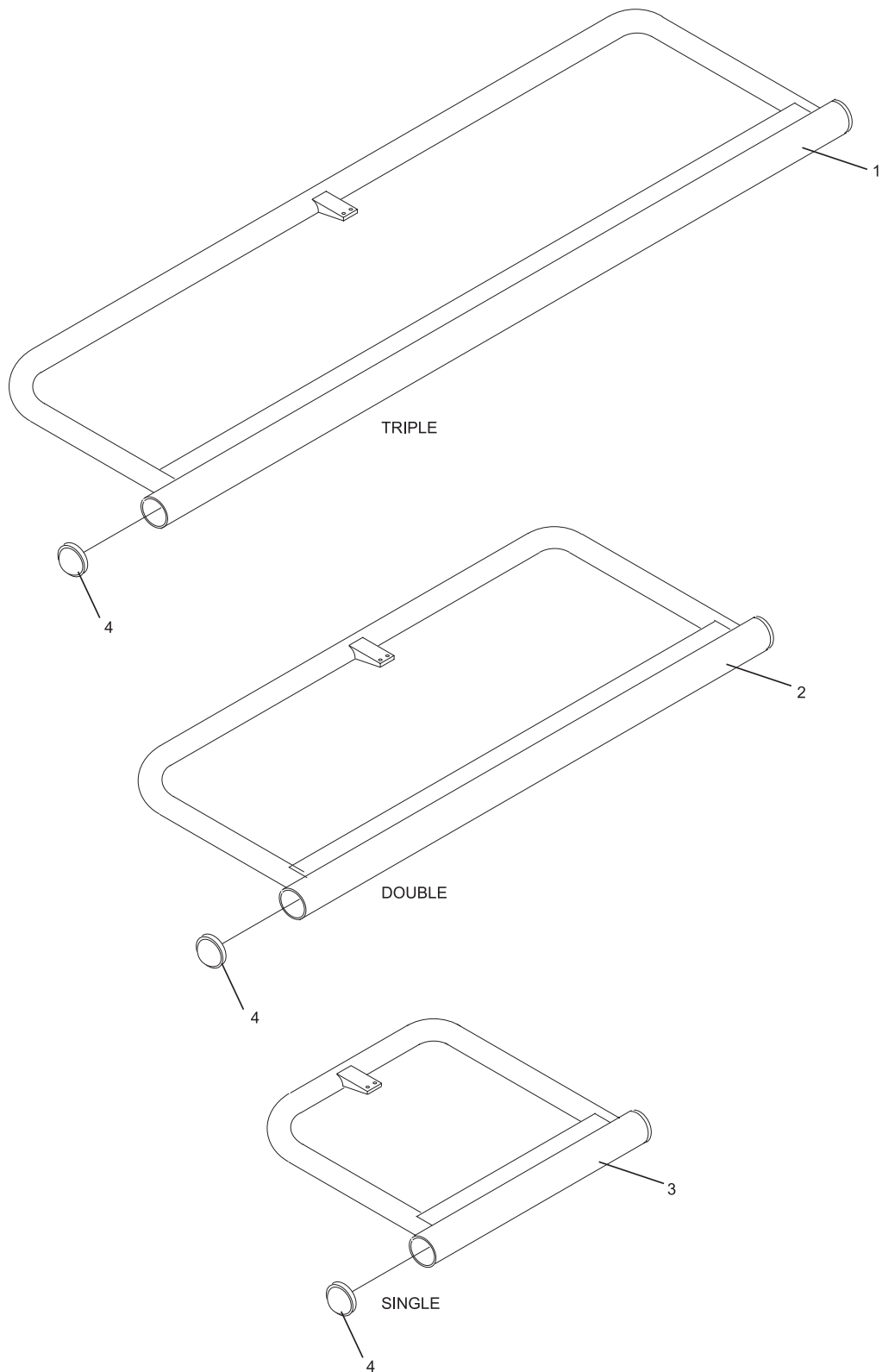


Frameworkx 27" Overhead Monitor Tube Rack Assembly

Index

No.	Part No.	Description
1.	57-861872-000	Triple, Tube Rack Assembly
2.	57-861871-000	Double, Tube Rack Assembly
3.	57-861870-000	Single, Tube Rack Assembly
4.	57-300107-000	3" End Cap

Frameworkx 36" Overhead Monitor Tube Rack Assembly



Framework 36" Overhead Monitor Tube Rack Assembly