

**Section A**

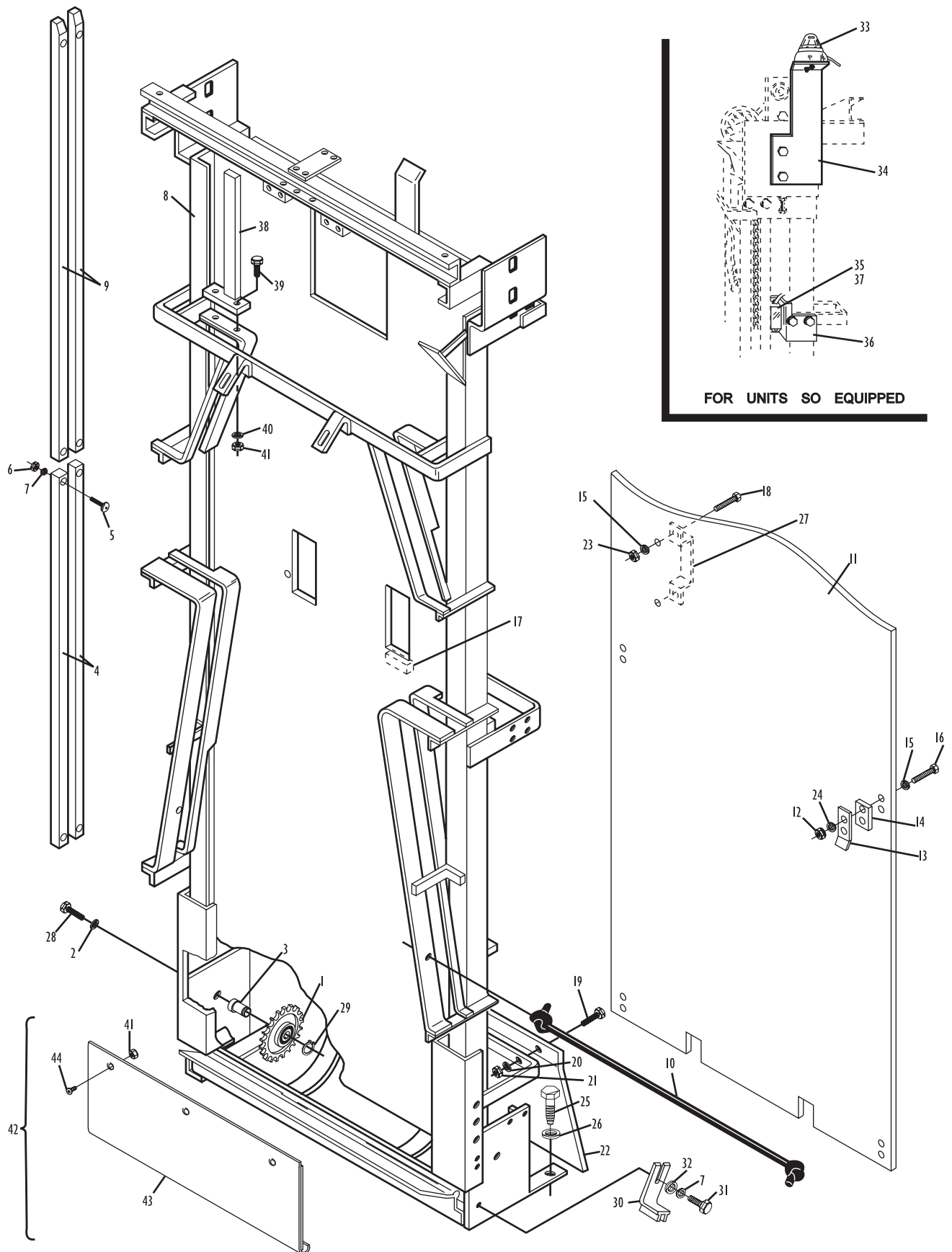
**ELEVATOR**

Index No.	Part No.	Description
1.	47-011053-004	Deflection Chain Gear with Bearing Complete
2.	11-051772-001	Lockwasher (12 mm)
3.	47-011130-004	Bearing Bolt
4.	47-011245-003	Chain Guide (Lower)
5.	11-052601-001	Carriage Bolt (8 mm x 30 mm)
6.	11-051704-001	Hex Nut (8 mm)
7.	11-051770-001	Lockwasher (8 mm)
8.	47-011135-000	Elevator Frame with Felt Backing
9.	47-011276-003	Chain Guide (Upper)
10.	11-053583-000	Rubber Cord (1.1 m)
11.	47-011775-003	Elevator Guard Complete
12.	11-051742-001	Locknut (5 mm)
13.	47-013651-003	Holding Bracket
14.	N.A.	Spacer
15.	11-052054-001	Flat Washer (5.3 mm x 15 mm x .8 mm)
16.	11-051004-001	Hex Hd. Cap Screw (5 mm x 25 mm)
17.	47-011134-004	Rubber Stop
18.	11-051003-001	Hex Hd. Cap Screw (5 mm x 16 mm)
19.	11-051035-001	Hex Hd. Cap Screw (6 mm x 16 mm)
20.	11-051769-001	Lockwasher (6 mm)
21.	11-051702-001	Hex Nut (6 mm)
22.	47-011518-003	Elevator Foot Guard
23.	11-051701-001	Hex Nut (5 mm)
24.	11-051768-001	Lockwasher (5 mm)
25.	11-053302-001	Wood Lag Screw (10 mm x 40 mm)
26.	11-052028-001	Flat Washer (10.5 x 25 mm x 2 mm)
27.	47-013636-004	Handle
28.	11-051062-001	Hex Hd. Cap Screw (12 mm x 25 mm)
29.	11-051852-001	Retaining Ring (17 mm)
30.	47-021520-004	Transport Band Hold Down Clamp
31.	11-051010-001	Hex Hd. Cap Screw (8 mm x 20 mm)
32.	11-052019-001	Flat Washer (8.4 mm x 25 mm x 2 mm)
33.	47-013817-004	Trouble Light Assembly
	*47-223170-000	Lamp Only
34.	47-012303-004	Trouble Light Bracket
35.	99-050229-004	Switch (Red Box)
36.	47-011239-004	Switch Bracket
37.	47-243026-004	Switch (Silver Box)
38.	47-012149-003	Shovel Alignment Bracket
39.	11-051015-001	Hex Hd. Cap Screw (8 mm x 25 mm)
40.	11-052006-001	Flat Washer (8 mm)
41.	N.A.	Locknut (8 mm)
42.	47-014200-004	Elevator Repair Kit
43.	N.A.	Repair Kit Plate
44.	N.A.	Socket Hd. Screw (8 mm x 16 mm)

*N.A. = No Longer Available*

*\* Not Illustrated*

## Elevator Frame Assembly



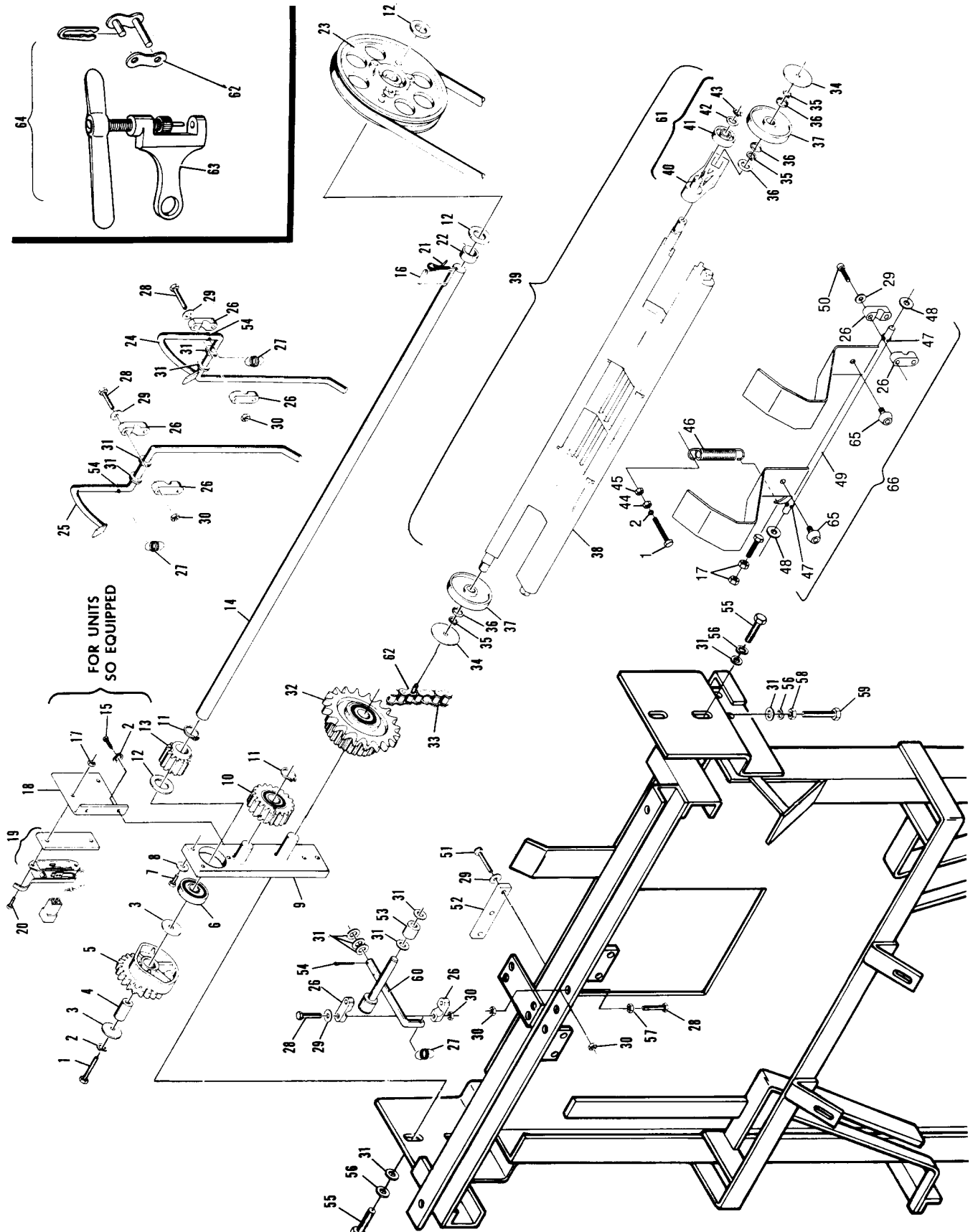
**Elevator Frame Assembly**

Index No.	Part No.	Description	Index No.	Part No.	Description
1.	11-051007-001	Hex Hd. Cap Screw (6 mm x 40 mm)	33.	47-013788-004	5/8" Chain with Shovel Pins Complete (4318 mm Long)
2.	11-051769-001	Lockwasher (6 mm)	34.	47-011241-004	Spacer Washer (40 mm x 5.1 mm)
3.	11-052010-001	Flat Washer (6 mm x 25 mm x 1.8 mm)	35.	11-051851-001	Retaining Ring (12 mm)
4.	47-011240-004	Spacer	36.	11-052001-001	Flat Washer (12 mm x 16 mm x 2 mm)
5.	47-010698-003	Toothed Wheel with Cam	37.	47-011047-004	Nylon Track Wheel (large)
6.	11-430007-000	Ball Bearing for Bearing Plate (6203ZZ)	38.	47-011049-001	Pin Shovel Only
7.	11-051001-001	Hex Hd. Cap Screw (6 mm x 12 mm)	39.	47-013532-009	Pin Shovel Complete
8.	11-052022-001	Flat Washer (6.4 mm x 14 mm x 1 mm)	40.	47-011048-004	Pivoting Lever
9.	47-011125-003	Bearing Plate Complete	41.	N.A.	Nylon Track Wheel (small)
10.	47-011050-004	Carrier Wheel with Bearing Complete	42.	N.A.	Flat Washer (10.5 mm x 21 mm x 2mm)
11.	11-051852-001	Retaining Ring (17 mm)	43.	N.A.	Retaining Ring (10 mm)
12.	11-052053-001	Flat Washer (17 mm x 30 mm x 1.6 mm)	44.	N.A.	Locknut (6 mm)
13.	47-011045-004	Drive Gear	45.	11-051702-001	Hex Nut (6 mm)
14.	47-011127-003	Drive Spindle	46.	46-050255-004	Spring
15.	11-051008-001	Hex Hd. Cap Screw (6 mm x 10 mm)	47.	11-051795-001	Split Pin (1.6 mm x 16mm)
16.	11-053501-000	Key (5 mm x 5 mm x 25 mm)	48.	11-052006-001	Flat Washer (8.4 mm x 20 mm x 2 mm)
17.	11-051741-001	Locknut (4 mm)	49.	47-011133-002	Ejecting Flap
18.	47-011239-004	Switch Mounting Plate	50.	11-051542-001	Socket Hd. Cap Screw (5 mm x 25 mm)
19.	99-050229-004	Switch Complete	51.	11-051522-001	Socket Hd. Cap Screw (5 mm x 16 mm)
20.	11-052201-001	Std. Machine Screw (4 mm x 10 mm)	52.	47-010061-004	Rubber Plate
21.	11-054301-001	Hitch Pin (3 mm x 62 mm)	53.	47-010059-004	Nylon Bumper
22.	47-011524-004	Spacer	54.	11-051793-001	Split Pin (16 mm x 2 mm)
23.	47-012411-003	Grooved Pulley	55.	11-051015-001	Hex Hd. Cap Screw (8 mm x 25 mm)
24.	47-011145-002	Pin Turn Lever (right-hand)	56.	11-051770-001	Lockwasher (8 mm)
25.	47-011146-002	Pin Turn Lever (left-hand)	57.	11-051701-001	Hex Nut (5 mm)
26.	46-030120-004	PVC Bearing	58.	11-051704-001	Hex Nut (8 mm)
27.	47-011147-004	Tension Spring	59.	11-051011-001	Hex Hd. Cap Screw (8 mm x 50 mm)
28.	11-051002-001	Hex Hd. Cap Screw (5 mm x 30mm)	60.	47-010053-003	Cross Lever
29.	11-052005-001	Flat Washer (5.3 mm x 10 mm x 1 mm)	61.	47-013533-009	Pivoting Lever Assembly
30.	11-051742-001	Locknut (5 mm)	62.	47-013871-004	Master Link with Long Pin
31.	11-052003-001	Flat Washer (8.4 mm x 17 mm x 1.6 mm)		11-600500-000	Standard Master Link
32.	47-011044-003	Chain Gear with Toothed Wheel and Bearing Complete	63.	47-013872-004	Chain Tool
			64.	47-013873-004	Elevator Chain Repair Kit (includes 10 pins)
			65.	11-053577-000	Rubber Bumper
			66.	*47-273835-009	Ejector Flap Rebuild Kit

N.A. = No Longer Available

\* Includes Index Nos. 1, 2, 17, 26, 29, 44, 45, 46, 47, 48 & 50

## Elevator Drive/Lift Assembly



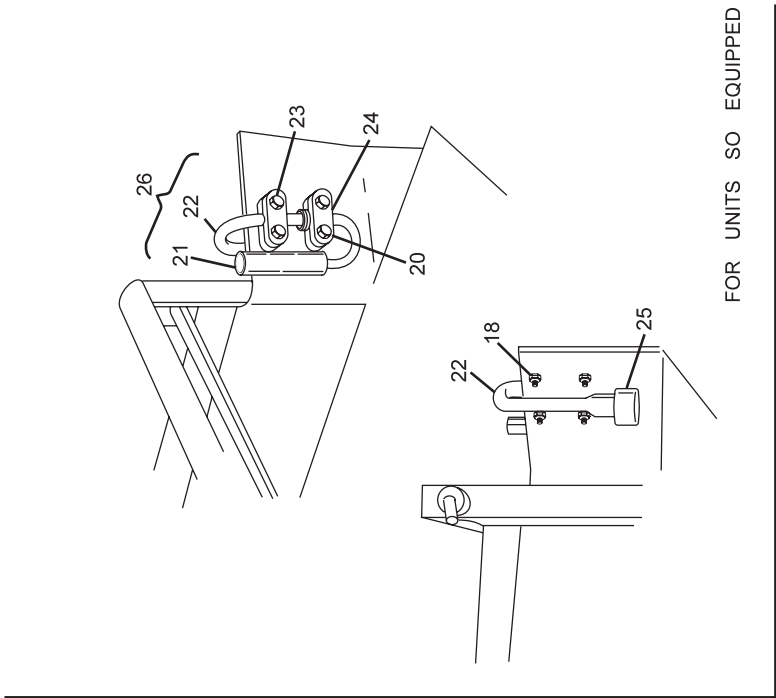
**Elevator Drive/Lift Assembly**

Index No.	Part No.	Description
1.	47-012272-004	Counter Weight
2.	11-054301-001	Hitch Pin (3 mm x 60 mm)
3.	11-052024-001	Flat Washer (14 mm x 30 mm x 1.8 mm)
4.	47-012273-004	Bushing
5.	47-012215-001	"Y" Switch
6.	47-012596-000	Flipper Shaft
7.	47-012628-000	Dual Feed Pin Chute w/o "Y" Switch & Deflector Shoe (nose block)
8.	11-051015-001	Hex Hd. Cap Screw (8 mm x 25 mm)
9.	47-012263-001	Deflector Shoe
10.	11-051744-001	Locknut (8 mm)
11.	11-052003-001	Flat Washer (8.4 mm x 17 mm x 1.6 mm)
12.	11-051019-001	Hex Hd. Cap Screw (10 mm x 25 mm)
13.	11-051771-001	Lockwasher (10 mm)
14.	11-051057-001	Hex Hd. Cap Screw (10 mm x 60 mm)
15.	11-052018-001	Flat Washer (10.5 mm x 21 mm x 2 mm)
16.	11-051005-001	Hex Hd. Cap Screw (10 mm x 20 mm)
17.	47-012260-003	Cross Brace
18.	11-051742-001	Locknut (5 mm)
19.	11-051514-001	Socket Hd. Cap Screw (5 mm x 25 mm)
20.	11-051004-001	Hex Hd. Cap Screw (5 mm x 25 mm)
21.	N.A.	Plastic Tube
22.	N.A.	Stopper Arm (left-hand)
	47-013640-003	Stopper Arm (right-hand; shown)
23.	11-051002-001	Hex Hd. Cap Screw (5 mm x 30 mm)
24.	46-030120-004	Bearing
25.	47-013742-004	Plastic Ring
26.	47-013599-004	Flipper Stopper Assembly Complete (left-hand)
	*47-013600-004	Flipper Stopper Assembly Complete (right-hand)
27.	N.A.	"Y" Switch Assembly Complete
28.	11-053583-000	Rubber Cord
29.	47-012255-004	Plate
30.	N.A.	Pin Chute Repair Plate (right-hand), ten pin side
	47-012621-000	Pin Chute Repair Plate (left-hand), seven pin side

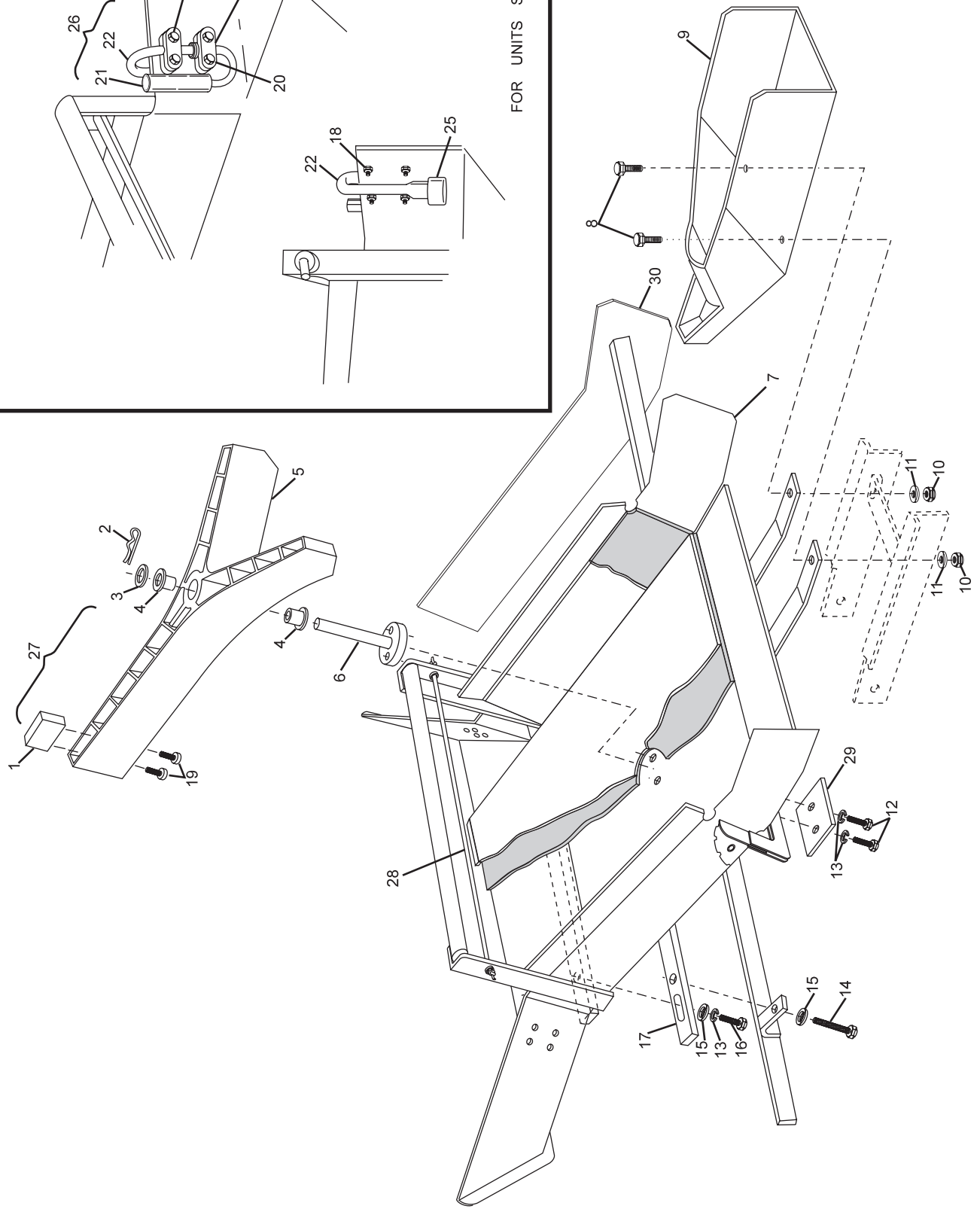
*N.A. = No Longer Available*

*\* Not Illustrated*

## Dual Feed Pin Chute Assembly



FOR UNITS SO EQUIPPED



**Dual Feed Pin Chute Assembly**

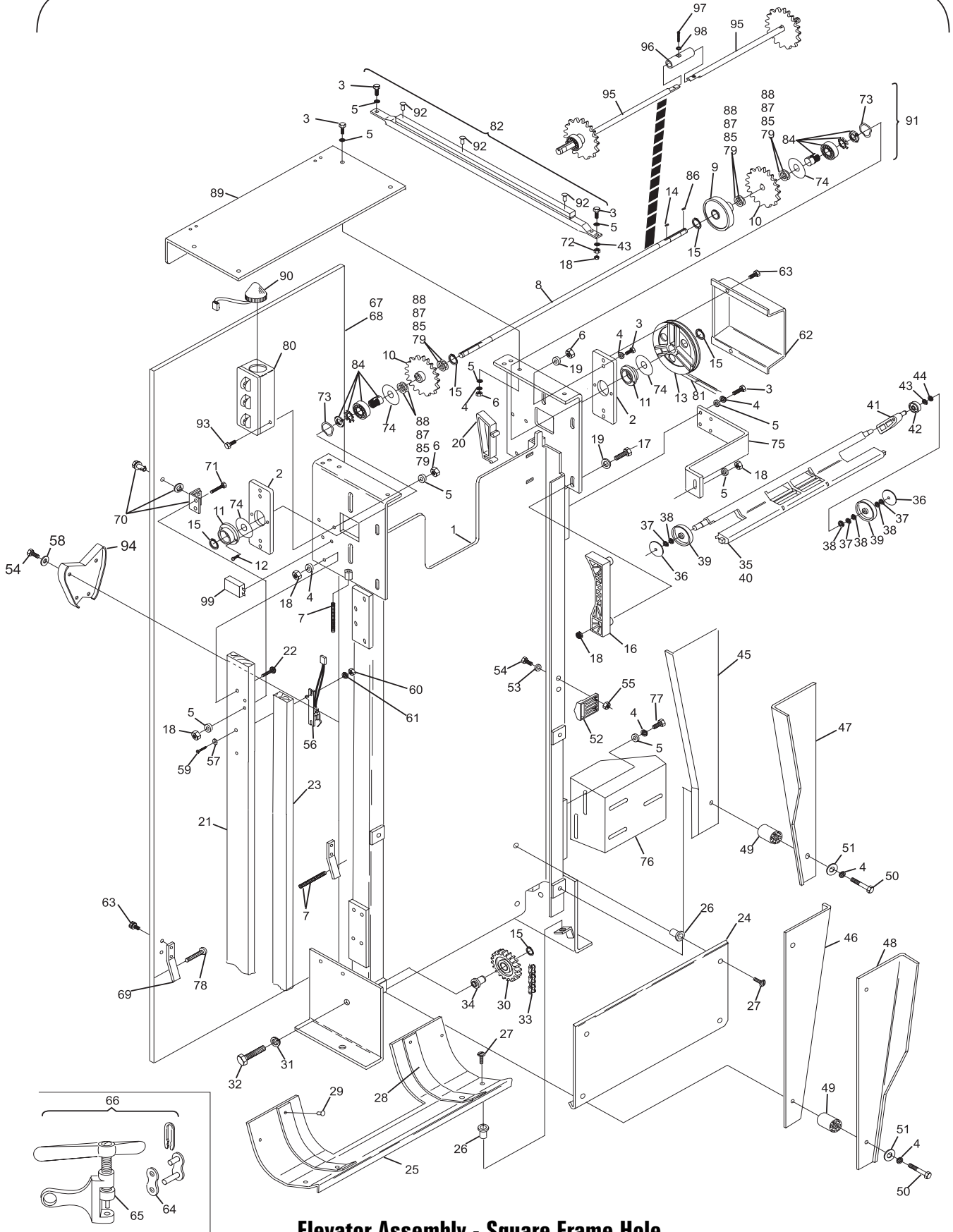
***Intentionally Blank***

***Intentionally Blank***

Index No.	Part No.	Description	Index No.	Part No.	Description
1.	47-013971-001	Elevator Frame Complete	51.	11-052031-001	Flat Washer (9 mm x 40 mm x 2.5 mm)
2.	47-014016-003	Bearing Plate	52.	47-014060-003	Ejector
3.	11-051010-001	Hex Hd. Machine Screw (8 mm x 20 mm)	53.	11-052008-001	Flat Washer (6.4 mm x 12.5 mm x 1.6 mm)
4.	11-051770-001	Lockwasher (8 mm)	54.	11-051018-001	Hex Hd. Machine Screw (6 mm x 20 mm)
5.	11-052003-001	Flat Washer (8.4 mm x 17 mm x 1.6 mm)	55.	11-051743-001	Locknut (6 mm)
6.	11-051704-001	Hex Nut (8 mm)	56.	47-243027-004	Switch
7.	11-054425-000	Set Screw (8 mm x 80 mm)	57.	99-050234-004	Switch Plate
8.	N.A.	Drive Shaft	58.	11-052037-001	Flat Washer (6.4 mm x 18 mm x 1.6 mm)
9.	47-014018-003	Shovel Guide Wheel	59.	11-052213-001	Slotted Machine Screw (4 mm x 40 mm)
10.	47-013931-003	Chain Sprocket (upper)	60.	11-051741-001	Locknut (4 mm)
11.	47-014329-003	Flange	61.	11-052025-001	Flat Washer (4.3 mm x 9 mm x 0.8 mm)
12.	11-054450-000	Self-Tapping Screw (6 mm x 16 mm)	62.	47-014974-003	Pulley Guard
13.	47-013956-003	V-Belt Pulley	63.	11-054451-000	Self-Tapping Screw (6 mm x 10 mm)
14.	11-053491-000	Key (5 mm x 5 mm x 20 mm)	64.	47-013871-004	Master Link with Long Pin
15.	11-051852-001	Retaining Ring (17 mm)	65.	11-600500-000	Standard Master Link
16.	47-014017-003	Shovel Guide	66.	47-013872-004	Chain Tool
17.	11-051053-001	Hex Hd. Machine Screw (8 mm x 40 mm)	67.	47-013873-004	Elevator Chain Repair Kit
18.	11-051744-001	Locknut (8 mm)	68.	47-013983-003	Elevator Rear Guard Only
19.	11-052006-001	Flat Washer (8.4 mm x 20 mm x 2 mm)	69.	47-013990-002	Elevator Rear Guard Complete
20.	47-013951-003	Wedge Guide	70.	47-013652-004	Pin Plate (lower)
21.	47-013954-003	Wooden Chain Guide (rear)	71.	47-013952-004	Camloc Fastener Assembly
22.	11-052615-001	Lag Screw (8 mm x 35 mm)	72.	11-051026-001	Hex Hd. Machine Screw (8 mm x 40 mm)
23.	47-013953-003	Wooden Chain Guide (front)	73.	11-051703-001	Hex Nut (10 mm)
24.	47-013913-002	Damper Guide	74.	47-014331-004	Spring Shim Washer
25.	47-013946-002	Lower Pan Guide	75.	47-014327-004	Seal (Washer)
26.	11-135400-000	Flex Loc Nut	76.	47-013924-003	Elevator Bracket
27.	11-051881-001	Slotted Machine Screw (8 mm x 30 mm)	77.	47-024036-002	Mounting Bracket
28.	47-013912-004	Slide Band	78.	11-051038-001	Hex Hd. Machine Screw (8 mm x 16 mm)
29.	11-053678-001	Rivet	79.	11-051883-001	Slotted Truss Hd. Machine Screw (8 mm x 50 mm)
30.	47-011053-004	Deflection Chain Gear with Bearing Complete	80.	11-052053-001	Flat Washer
31.	11-051772-001	Lockwasher (12 mm)	81.	47-243071-004	Mechanic's Switch Assembly
32.	11-051062-001	Hex Hd. Machine Screw (12 mm x 25 mm)	82.	11-053905-000	V-Belt (1900 mm)
33.	47-014008-003	5/8" Chain with Shovel Pins Complete (3556 mm long)	83.	47-084015-003	Cable Channel Support Assembly
34.	47-011130-004	Bearing Bolt	84.	N.A.	Elevator Assembly Complete
35.	47-013532-000	Pin Shovel Complete	85.	11-050150-000	Cone Bearing Assembly
36.	47-011241-004	Spacer Washer (40 mm x 5.1 mm)	86.	11-054105-001	Shim Washer
37.	11-051851-001	Retaining Ring (12 mm)	87.	11-053501-000	Key
38.	11-052001-001	Flat Washer (12 mm x 16 mm x 2 mm)	88.	11-052057-001	Flat Washer
39.	47-011047-004	Nylon Track Wheel (large)	89.	11-054106-001	Shim Washer
40.	47-011049-001	Pin Shovel Only	90.	47-014770-002	Guard (GS-10/GS-92)
41.	47-011048-004	Pivoting Lever	91.	47-014687-004	Trouble Light Assembly
42.	47-011046-004	Nylon Track Wheel (small)	92.	*47-223170-000	Lamp Only
43.	11-052018-001	Flat Washer (10.5 mm x 21 mm x 2 mm)	93.	47-014766-009	Elevator Shaft Kit (square frame hole, two pieces)
44.	11-051855-001	Retaining Ring (10 mm)	94.	11-053660-000	Rivet (3.2 mm x 7.4 mm)
45.	47-013993-001	Pin Deflector (right-hand, rear)	95.	11-054452-000	Hex Hd. Machine Screw (5 mm x 10 mm)
46.	47-013994-001	Pin Deflector (left-hand, rear)	96.	47-014761-003	Centering Guides (centering guides)
47.	47-013991-001	Pin Deflector (right-hand, front)	97.	47-014756-003	Split Shaft Assembly
48.	47-013992-001	Pin Deflector (left-hand, front)	98.	N.A.	Split Shaft Coupler
49.	47-014009-004	Spacer	99.	11-051526-001	Screw (6 mm x 30 mm)
50.	11-051075-001	Hex Hd. Machine Screw (8 mm x 23 mm)		11-051769-001	Lockwasher (6 mm)
				47-225160-004	Frame Counter

N.A. = No Longer Available  
\* Not Illustrated

## Elevator Assembly - Square Frame Hole Short Pit Machines Series 43 and Above



**Elevator Assembly - Square Frame Hole  
Short Pit Machines Series 43 and Above**

Index No.	Part No.	Description
1.	11-051010-001	Hex Hd. Machine Screw (8 mm x 20 mm)
2.	11-052003-001	Flat Washer (8.4 mm x 17 mm x 1.6 mm)
3.	47-014770-002	Guard
4.	11-051741-001	Nut (4 mm, GS-92)
	11-051744-001	Nut (8 mm, GS-96)
5.	11-055025-001	Screw (4 mm x 16 mm, GS-92)
	11-051038-001	Screw (8 mm x 16 mm, GS-96)
6.	47-014267-003	Mounting Angle
7.	N.A.	Mounting Plate
8.	11-051770-001	Lockwasher
9.	47-013955-004	Support
10.	11-052221-001	Slotted Machine Screw (3 mm x 4 mm)
11.	11-051704-001	Nut (8 mm)
12.	47-014917-009	Micro Switch Complete with Mounting Plate and Guard (GS-96 and prior)
	47-014918-003	Micro Switch Only (GS-98)
13.	N.A.	Guard Plate
14.	11-051746-001	Nut (3 mm)
15.	11-051743-001	Hex Locknut (6 mm)
16.	47-014761-003	Centering Guide (upper)
17.	11-051018-001	Hex Hd Machine Screw (6 mm x 20 mm)
18.	11-051769-001	Lockwasher (6 mm)
19.	47-014758-001	Elevator Frame Complete (GS-92)
	47-014254-001	Elevator Frame Complete (GS-96)
20.	11-051038-001	Screw (8 mm x 16 mm)
21.	N.A.	Shaft
22.	47-013949-001	Pulley Guard (GS-92)
	47-014974-003	Pulley Guard (GS-96)
23.	11-053508-000	Key
24.	11-051010-001	Hex Hd Machine Screw (8 mm x 20 mm, GS-92)
	11-051015-001	Hex Hd Machine Screw (GS-96)
25.	47-014238-003	Cross Bar
26.	11-053905-000	V-Belt (1900 mm)
27.	47-014752-003	Flange
28.	47-014751-003	Bearing Plate
	47-015098-003	Plastic Bearing Flange
29.	47-014800-004	Rubber Bumper
30.	47-014239-004	Support Bar
31.	11-054450-000	Self-Tapping Screw (6 mm x 16 mm)
32.	47-014765-002	Pulley with Clamp
33.	47-014255-004	Shock Pad
34.	*N.A.	Damper Plate
35.	11-135400-000	Fastener
36.	47-093874-004	Clamp Only
37.	11-051035-001	Hex Hd. Cap Screw (6 mm x 16 mm)
38.	**47-015068-003	Shaft Assembly Complete (GS-96 and above)
39.	11-051881-001	Truss Hd. Mach. Screw (8 mm x 30 mm)
40.	11-052037-001	Flat Washer (6.4 mm x 18 mm x 1.6 mm)
41.	47-240071-004	Mechanic's Remote Box w/ Cable (Consolidated Electronics)
	47-245422-004	Mechanic's Remote Box w/ Cable (Nexgen Electronics)
42.	11-054452-000	Hex Hd. Machine Screw (5 mm x 10 mm)
43.	47-014687-004	Trouble Light Assembly
	***47-223170-000	Lamp Only
44.	11-052928-001	Flat CTS. Head Screw (6 mm x 10 mm)

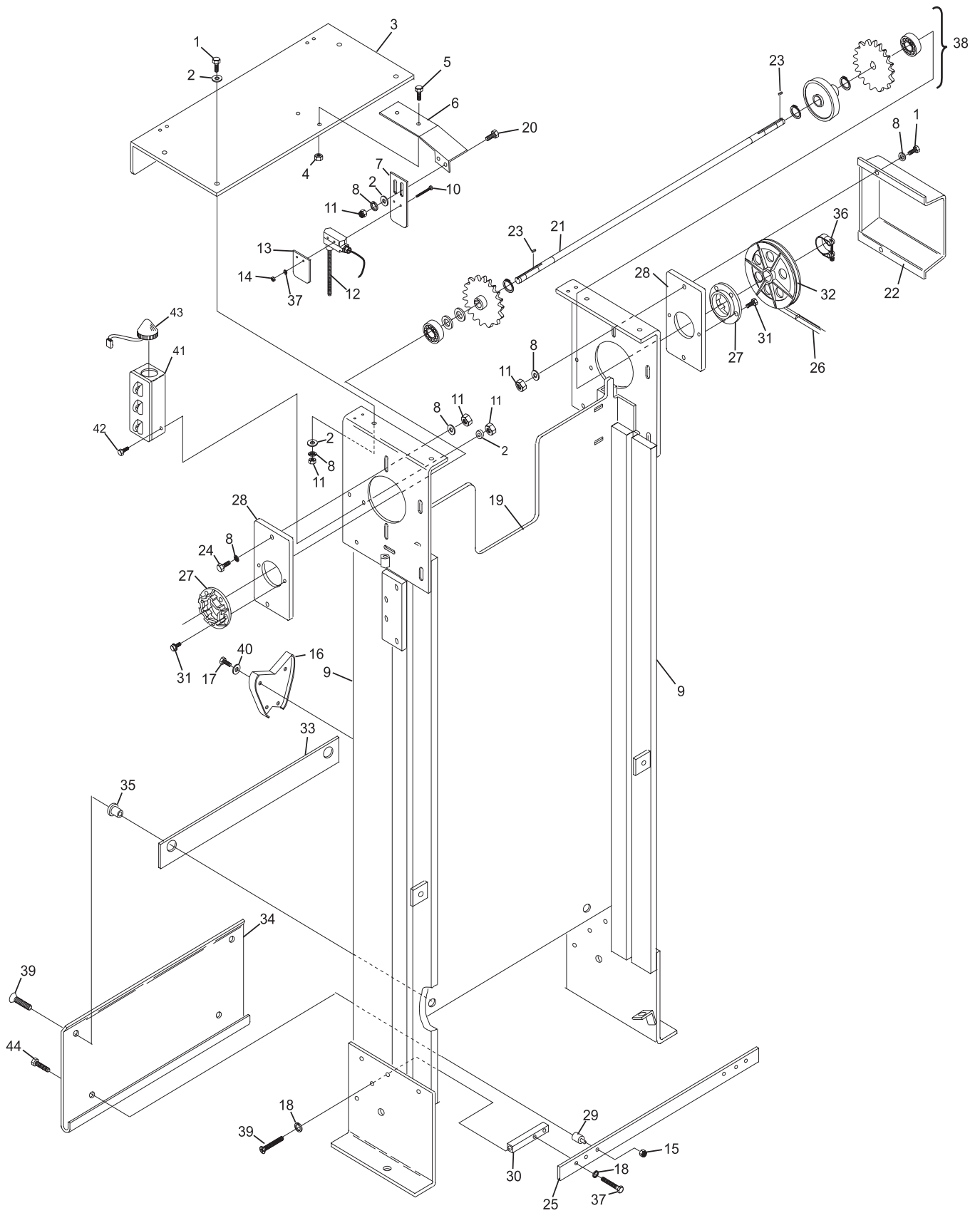
N.A. = No Longer Available

\* To order entire Damper Plate kit, order 47-014696-009 (includes index nos. 1, 2, 18, 25, 29, 30, 33, 34, 35, 37, 39, and 40).

\*\* Also order Plastic Bearing Flange (47-015098-003) and 2 each Wave Springs, 47-014331-004.

\*\*\* Not Illustrated

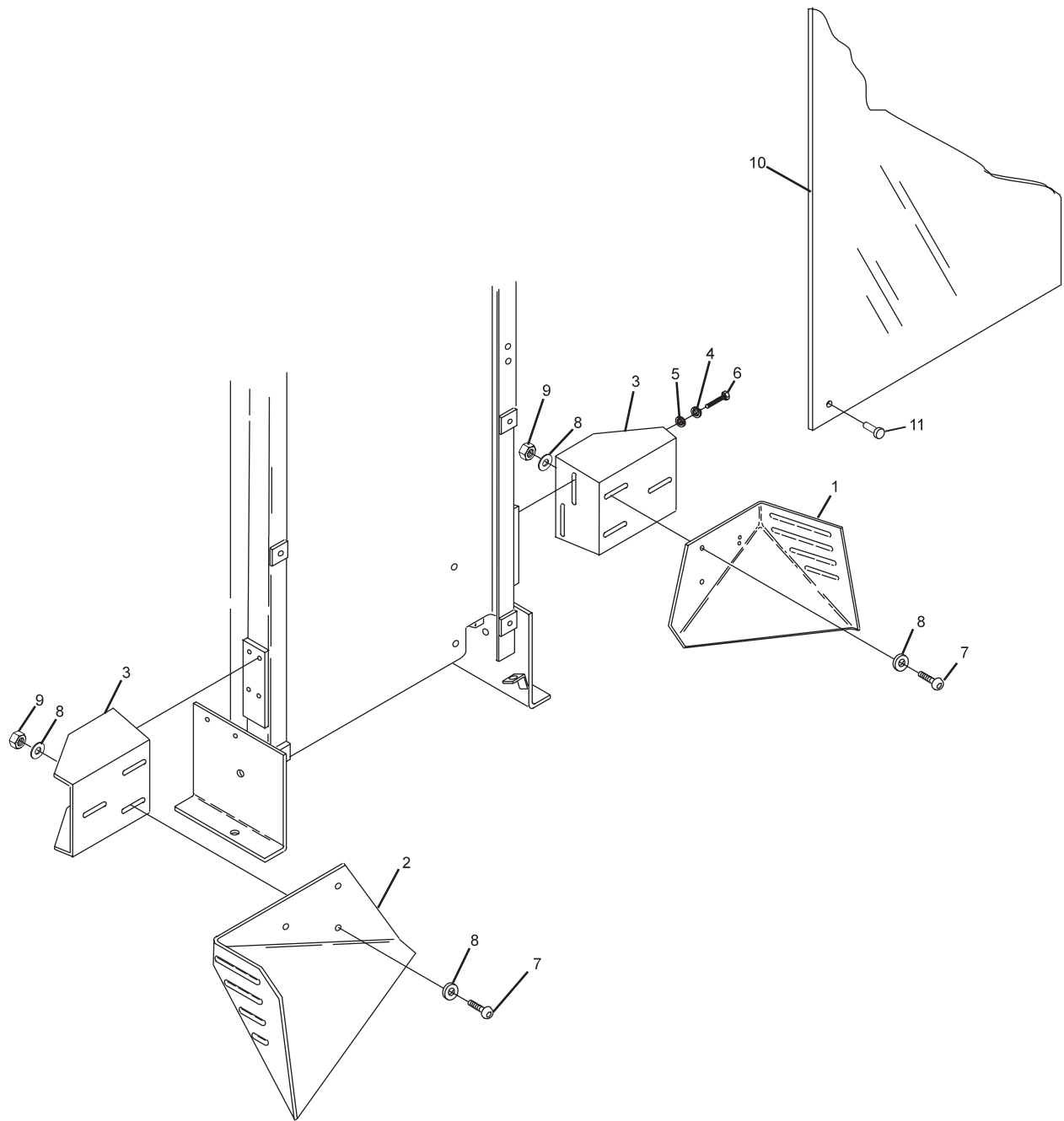
## Elevator Assembly - Round Frame Hole Short Pit Machines Series 43 and Above



**Elevator Assembly - Round Frame Hole  
Short Pit Machines Series 43 and Above**

<b>Index No.</b>	<b>Part No.</b>	<b>Description</b>
1.	47-023986-001	Pin Deflector Board (right-hand)
2.	47-023987-001	Pin Deflector Board (left-hand)
3.	47-024036-002	Mounting Bracket
4.	11-051770-001	Lockwasher (8 mm)
5.	11-052003-001	Flat Washer (8.4 mm x 17 mm x 1.6 mm)
6.	11-051038-001	Hex Hd. Machine Screw (8 mm x 16 mm)
7.	11-054801-001	Hex Hd. Socket Button Hd. Machine Screw (8mm x 20mm)
8.	11-052019-001	Flat Washer (8.4 mm x 25 mm x 2 mm)
9.	11-051744-001	Locknut (8 mm)
10.	47-023923-003	Lexan Division Barrier
11.	47-013952-004	Camloc Fastener Assembly

**Pin Deflector Boards**  
**Short Pit Machines Series 43 and Above**



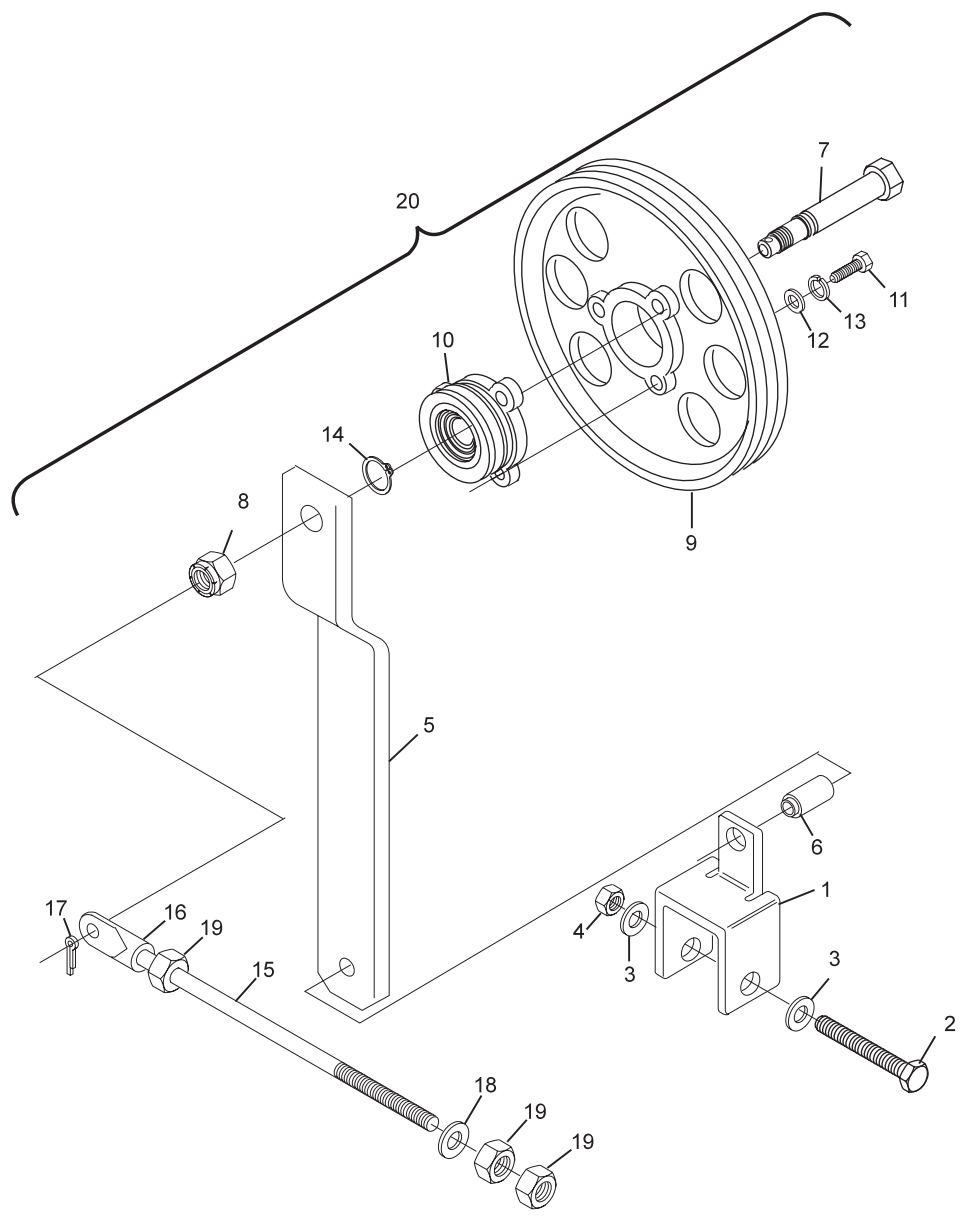
**Pin Deflector Boards**  
**Short Pit Machines Series 43 and Above**

Index

No.	Part No.	Description
1.	N.A.	Support Bracket (order index # 20)
2.	11-051064-001	Hex Hd. Machine Screw (8 mm x 65 mm)
3.	11-052006-001	Flat Washer (8.4 mm x 20 mm x 2 mm)
4.	11-051744-001	Locknut (8 mm)
5.	47-014058-003	Lever
6.	11-052691-001	Rolled Pin (10 mm x 26 mm)
7.	N.A.	Bearing Bolt
8.	11-051745-001	Locknut (10 mm)
9.	47-022410-003	Round Belt Pulley
10.	47-014054-003	V-Belt Adaptor Pulley
11.	11-051028-001	Hex Hd. Machine Screw (6 mm x 30 mm)
12.	11-052008-001	Flat Washer (6.4 mm x 12.5 mm x 1.6 mm)
13.	11-051769-001	Lockwasher (6 mm)
14.	11-051852-001	Retaining Ring (17 mm)
15.	47-013930-004	Threaded Rod
16.	47-013916-004	Rod End Adaptor
17.	11-051793-001	Cotter Pin (2 mm x 16 mm)
18.	11-052028-001	Flat Washer (10.5 mm x 25 mm x 2 mm)
19.	11-051703-001	Hex Nut (10 mm)
20.	47-014053-001	Elevator Belt Tensioner Assembly

N.A. = No Longer Available

**Elevator Belt Tensioner Assembly  
Short Pit Machines Series 43 and Above**



**Elevator Belt Tensioner Assembly  
Short Pit Machines Series 43 and Above**