

Section J

DISTRIBUTOR

Index No.	Part No.	Description	Index No.	Part No.	Description
1.	47-094344-003	Front Pulley Shaft	37.	47-092199-003	Bracket
2.	47-091905-003	Turn Plate (right-hand)	38.	47-091512-003	Flat Spring
3.	11-051038-001	Hex Hd. Cap Screw (8 mm x 16 mm)	39.	47-092206-004	Shaft
4.	N.A.	Distributor Frame Complete	40.	47-093874-004	Clamp
5.	47-090547-004	Spur Gear with 25 mm Collar	41.	47-093547-004	Gear
6.	47-092300-004	Polycord Roll (12 mm dia. x 20 meters Lg.)	42.	47-093741-002	Dust Pan
	47-092300-005	Polycord Roll (13 mm dia. x 20 meters Lg.)	43.	47-093771-004	Felt Pad
7.	11-051770-001	Lockwasher (8 mm)	44.	*11-676027-000	Contact Cement - quart
8.	11-051744-001	Hex Nut (8 mm)		*11-676047-000	Contact Cement - gallon
9.	47-090989-002	Double Pulley	45.	47-093587-004	Dowel Pin (3 mm x 15 mm)
10.	11-053903-000	V-Belt (13 mm x 8 mm x 1375 mm)	46.	47-093863-004	Round Belt Pulley
11.	11-054102-001	Spacer Flat Washer (25 mm x 36 mm x 1 mm)	47.	47-094353-004	PVC Spacer
12.	11-051856-001	Retaining Ring (25 mm)	48.	47-094347-003	Bearing Shell
13.	*47-091904-003	Turn Plate (left-hand)	49.	47-094346-003	Bearing Shell with Shoulder
14.	N.A.	Dual Feed Distributor Assembly Complete	50.	47-094351-003	Washer
15.	N.A.	Pulley Holder (left-hand)	51.	11-430051-000	Bearing
16.	47-092193-003	Pulley Holder (right-hand)	52.	11-051010-001	Hex Hd. Cap Screw (8 mm x 20 mm)
17.	47-092271-004	Pin Guide	53.	11-052006-001	Washer (8.4 mm x 20 mm x 2 mm)
18.	N.A.	Slider Mount	54.	47-094349-001	Front Shaft Assembly
19.	**N.A.	Slider Assembly	55.	47-091854-004	Vinyl (long pit version)
20.	47-091284-002	Slider Assembly Complete		47-092345-004	Vinyl (Short Pit version)
21.	47-090969-003	Stop	56.	47-092476-004	Pin Turn Device (left-hand)
22.	11-051520-001	Socket Hd. Cap Screw (6 mm x 30 mm)	57.	47-092475-004	Pin Turn Device (right-hand)
23.	11-051515-001	Socket Hd. Cap Screw (6 mm x 18 mm)	58.	N.A.	Slider Only (hardware not included)
24.	11-054449-000	Hex Hd. Self-Tapping Screw (K70 x 18 mm)	59.	47-092265-003	Extension Rails (left-hand/right- hand, for Dual Feed Distributor, for short pit)
25.	11-052019-001	Flat Washer (8.4 mm x 25 mm x 2 mm)		47-092249-002	Extension Rails (left-hand/right- hand, for Dual Feed Distributor, long pit)
26.	11-051852-001	Retaining Ring (17 mm)	60.	47-094712-003	Bracket
27.	11-052804-001	Set Screw (6 mm x 8 mm) (for Pulley Hub)		***47-274806-009	Guide Rail Extension Kit
28.	11-051546-001	Hex Hd. Cap Screw (5 mm x 40 mm)	61.	47-092479-003	Guide Bracket (right-hand)
29.	11-052039-001	Flat Washer (5.3 mm x 15 mm x 1.2 mm)	62.	11-051018-001	Hex Head Cap Screw (6 mm x 20 mm)
30.	11-051742-001	Locknut (5 mm)	63.	47-093760-002	Distributor Station (pin no. 7, steel)
31.	47-092415-003	Pulley with Bearing		47-091890-002	Distributor Stations (pin nos. 2,3,8,9, and 10, steel)
32.	47-092496-004	Pin Guide		47-092211-002	Distributor Stations (pin nos. 1 and 6, steel)
33.	11-051743-001	Locknut (6 mm)	64.	47-092186-003	Bracket
34.	11-052037-001	Flat Washer (6.4 mm x 18 mm x 1.6 mm)	65.	47-092478-003	Guide Bracket (left-hand)
35.	47-092202-004	Shaft	66.	47-095050-003	Plastic Bearing
36.	47-092203-004	Shaft	67.	47-093910-003	Shark Rail (right-hand)
			68.	47-093911-003	Shark Rail (left-hand)

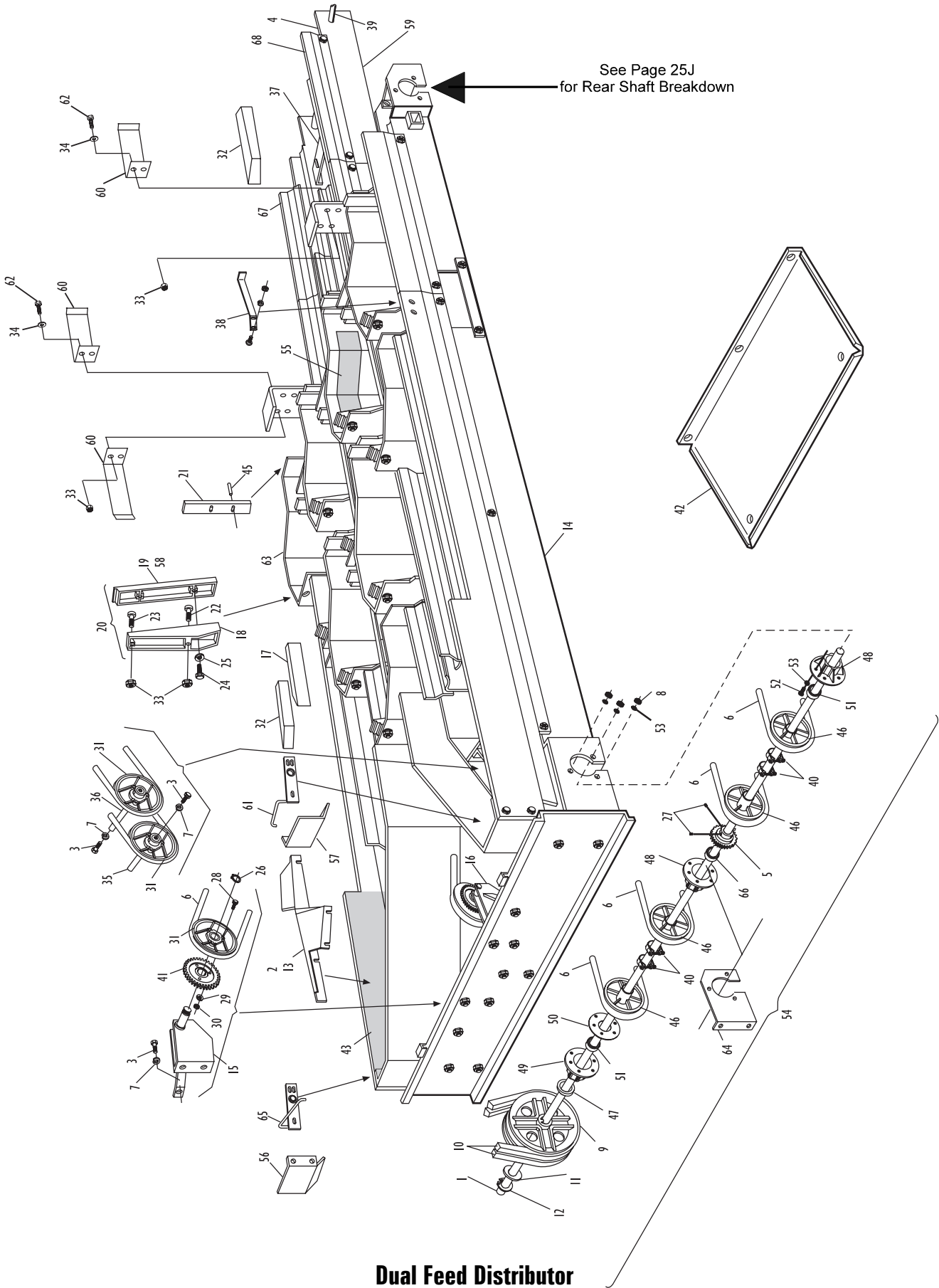
N.A. = No Longer Available

* Not Illustrated

** Includes index nos. 24, 25 & 58.

*** Includes index nos. 60,33,62, & 34.

Dual Feed Distributor



Dual Feed Distributor

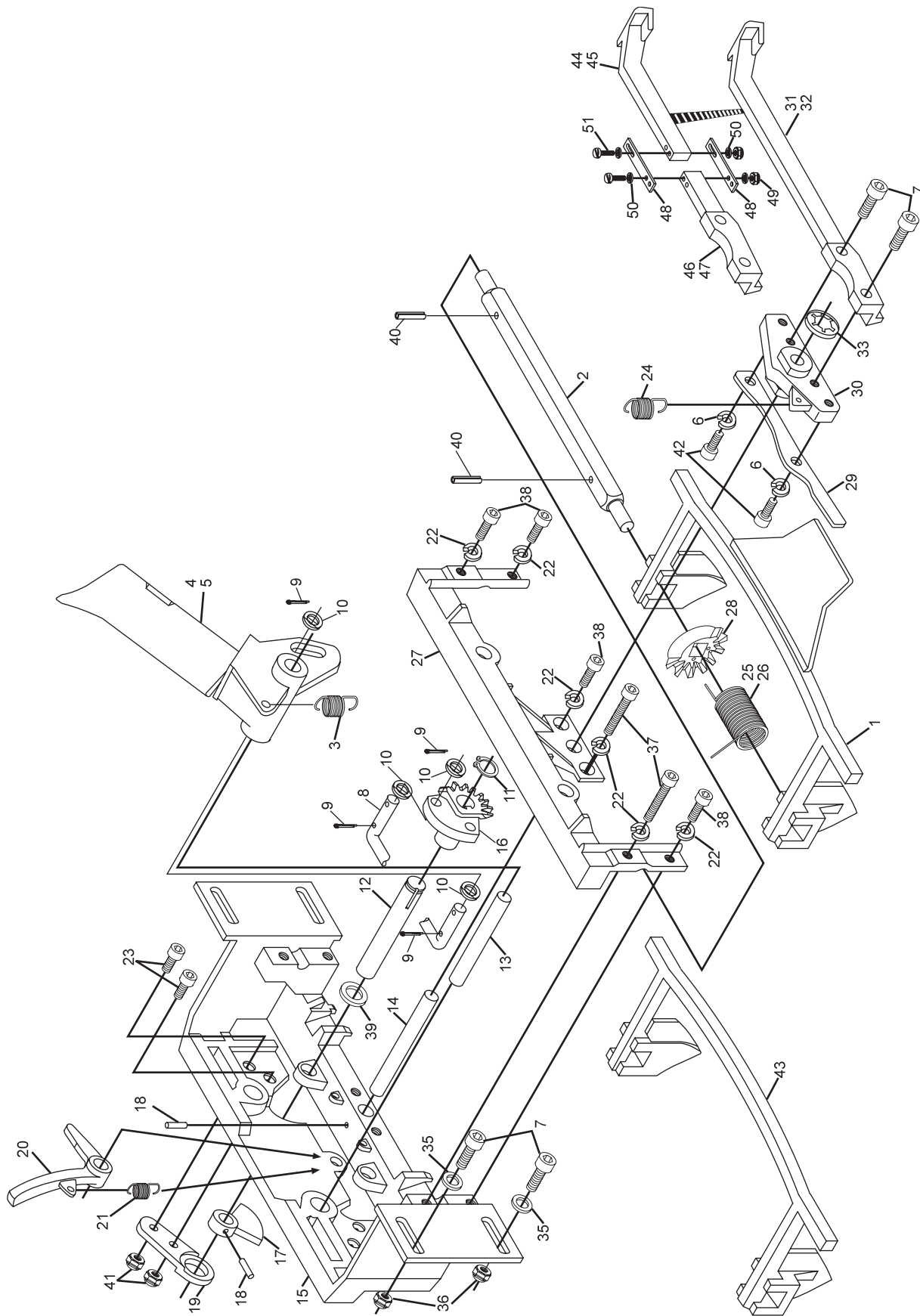
Index No.	Part No.	Description
1.	47-091690-002	Retaining Bow with Flap
2.	47-091694-004	Square Spindle
3.	47-090581-004	Tension Spring
4.	47-092442-003	Ejector Flap (right-hand)
5.	47-092441-003	Ejector Flap (left-hand)
6.	11-051769-001	Lockwasher (6 mm)
7.	11-051515-001	Socket Hd. Cap Screw (6 mm x 18 mm)
8.	47-090568-004	Bow
9.	11-051791-001	Split Pin (1.6 mm x 10 mm)
10.	47-090575-004	Flat Washer (6.5 mm x 9 mm x 1 mm)
11.	11-051855-001	Retaining Ring (10 mm)
12.	47-090570-004	Shaft
13.	47-090572-004	Shaft
14.	47-090571-004	Shaft
15.	47-090565-002	Bottom Housing
16.	47-090560-004	Bevel Wheel with Cam
17.	47-090557-004	Cam
18.	11-052681-001	Rolled Pin (3 mm x 16 mm)
19.	47-090558-004	Cam Retainer
20.	47-090556-004	Retaining Lever
21.	47-094352-004	Tension Spring
22.	11-051768-001	Lockwasher (5 mm)
23.	11-051523-001	Socket Hd. Cap Screw (5 mm x 10 mm)
24.	47-090580-004	Tension Spring
25.	47-090577-004	Torsion Spring (pin nos. 2,4,6,8 & 10)
26.	47-090578-004	Torsion Spring (pin nos. 1,3,5,7 & 9)
27.	47-090562-003	Top Housing
28.	47-090559-004	Bevel Wheel
29.	47-091693-004	Clamping Lever
30.	47-091692-004	Pivoting Lever
31.	N.A.	Release Lever Pin (pin Nos. 1,4,5 & 6)
32.	N.A.	Release Lever Pin (pin Nos. 2,3,7,8,9 & 10)
33.	11-053478-001	Starlock (8 mm)
34.	*N.A.	Pin Station Complete (pin nos. 1, 5 & 6)
	*N.A.	Pin Station Complete (pin nos. 2, 3, 8 & 9)
	*N.A.	Pin Station Complete (pin number 4)
	*N.A.	Pin Station Complete (pin number 7)
	*N.A.	Pin Station Complete (pin number 10)
35.	11-052037-001	Flat Washer (6.4 mm x 18 mm x 1.6 mm)
36.	11-051743-001	Locknut (6 mm)
37.	11-051524-001	Socket Hd. Cap Screw (5 mm x 40 mm)
38.	11-051522-001	Socket Hd. Cap Screw (5 mm x 16 mm)
39.	11-052042-001	Flat Washer (10 mm x 14 mm x 2 mm)
40.	11-052680-001	Rolled Pin (2 mm x 18 mm)
41.	11-051742-001	Locknut (5 mm)
42.	11-051509-001	Socket Hd. Cap Screw (6 mm x 12 mm)
43.	*N.A.	Retaining Bow
44.	47-093591-004	Release Lever Pin - two piece (pin nos. 2,3,7,8,9 & 10)
45.	47-093592-004	Release Lever Pin - two piece (pin nos. 1,4,5 & 6)
46.	*N.A.	Release Lever Pin - two piece (pin nos. 2,3,7,8,9 & 10)
47.	47-093590-004	Release Lever Pin - two piece (pin nos. 1,4,5 & 6)
48.	47-091725-004	Retaining Plate
49.	11-051741-001	Locknut (4 mm)
50.	11-052025-001	Flat Washer (4.3 mm x 9 mm x .8 mm)
51.	11-052208-001	Slted. Machine Hd. Screw (4 mm x 30 mm)

N.A. =No Longer Available

* Use Universal Pin Station - pages 8J and 9J.

** Use appropriate Universal Pin Station.

Pin Station Assembly (Machine Series 54 and Below)



34

**Pin Station Assembly
(Machine Series 54 and Below)**

Index

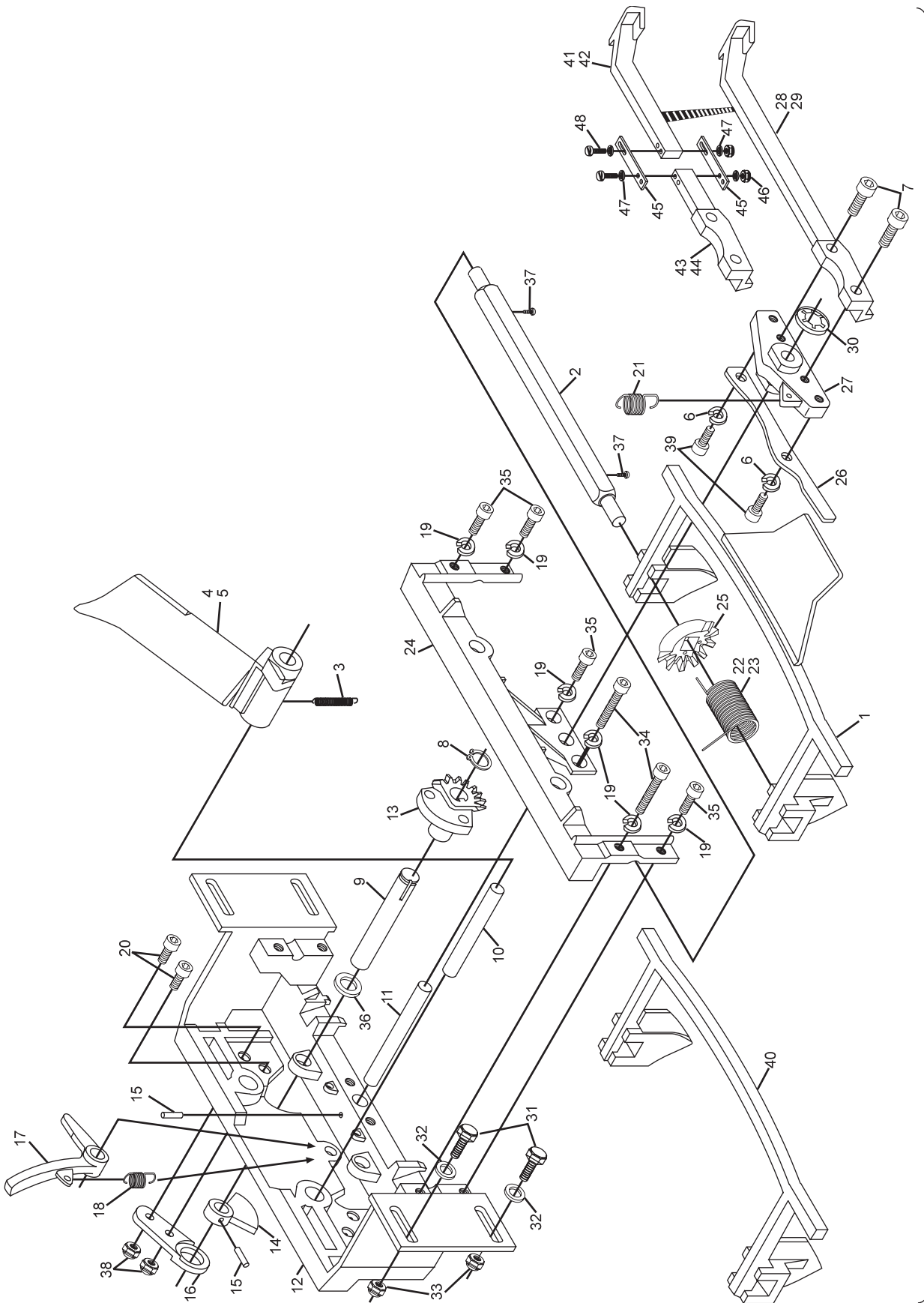
No.	Part No.	Description
1.	47-091690-002	Retaining Bow with Flap
2.	47-091694-004	Square Spindle
3.	47-094099-004	Tension Spring
4.	47-093926-002	Ejector Flap (right-hand)
5.	47-093927-002	Ejector Flap (left-hand)
6.	11-051769-001	Lockwasher (6 mm)
7.	11-051515-001	Socket Hd. Cap Screw (6 mm x 18 mm)
8.	11-051855-001	Retaining Ring (10 mm)
9.	47-090570-004	Shaft
10.	47-090572-004	Shaft
11.	47-090571-004	Shaft
12.	47-090565-002	Bottom Housing
13.	47-090560-004	Bevel Wheel with Cam
14.	47-090557-004	Cam
15.	11-052681-001	Rolled Pin (3 mm x 16 mm)
16.	47-090558-004	Cam Retainer
17.	47-090556-004	Retaining Lever
18.	47-094352-004	Tension Spring
19.	11-051768-001	Lockwasher (5 mm)
20.	11-051523-001	Socket Hd. Cap Screw (5 mm x 10 mm)
21.	47-090580-004	Tension Spring
22.	47-090577-004	Torsion Spring (pin nos. 2,4,6,8 & 10)
23.	47-090578-004	Torsion Spring (pin nos. 1,3,5,7 & 9)
24.	47-090562-003	Top Housing
25.	47-090559-004	Bevel Wheel
26.	47-091693-004	Clamping Lever
27.	47-091692-004	Pivoting Lever
28.	N.A.	Release Lever Pin (pin nos. 1,4,5 & 6)
29.	N.A.	Release Lever Pin (pin nos. 2,3,7,8,9 & 10)
30.	11-053478-001	Starlock (8 mm)
31.	11-051514-001	Socket Hd. Cap Screw (6 mm x 16 mm)
32.	11-052048-001	Flat Washer (6.4 mm x 16 mm x 1.6 mm)
33.	11-051743-001	Locknut (6 mm)
34.	11-051524-001	Socket Hd. Cap Screw (5 mm x 40 mm)
35.	11-051522-001	Socket Hd. Cap Screw (5 mm x 16 mm)
36.	11-052042-001	Flat Washer (10 mm x 14 mm x 2 mm)
37.	11-050401-001	Self-Tapping Screw (4 mm x 8 mm)
38.	11-051742-001	Locknut (5 mm)
39.	11-051509-001	Socket Hd. Cap Screw (6 mm x 12 mm)
40.	**N.A.	Retaining Bow without Flap
41.	47-093591-004	Release Lever Pin - two piece (pin nos. 2,3,7,8,9 & 10)
42.	47-093592-004	Release Lever Pin - two piece (pin nos. 1,4,5 & 6)
43.	**N.A.	Release Lever Pin - two piece (pin nos. 2,3,7,8,9 & 10)
44.	47-093590-004	Release Lever Pin - two piece (pin nos. 1,4,5 & 6)
45.	47-091725-004	Retaining Plate
46.	11-051741-001	Locknut (4 mm)
47.	11-052025-001	Flat Washer (4.3 mm x 9 mm x .8 mm)
48.	11-052208-001	Slted. Machine Hd. Screw (4 mm x 30 mm)
49.	*N.A.	Pin Station Assembly (pin number 4)
50.	*N.A.	Pin Station Assembly (pin nos. 1, 5 & 6)
51.	*N.A.	Pin Station Assembly (pin nos. 2, 3, 8 & 9)
52.	*N.A.	Pin Station Assembly (pin number 7)
53.	*N.A.	Pin Station Assembly (pin number 10)

N.A. = No Longer Available

* Use Universal Pin Station - pages 8J and 9J.

** Use appropriate Universal Pin Station.

Pin Station Assembly (Machine Series 55 to 333)



49-53

**Pin Station Assembly
(Machine Series 55 to 333)**

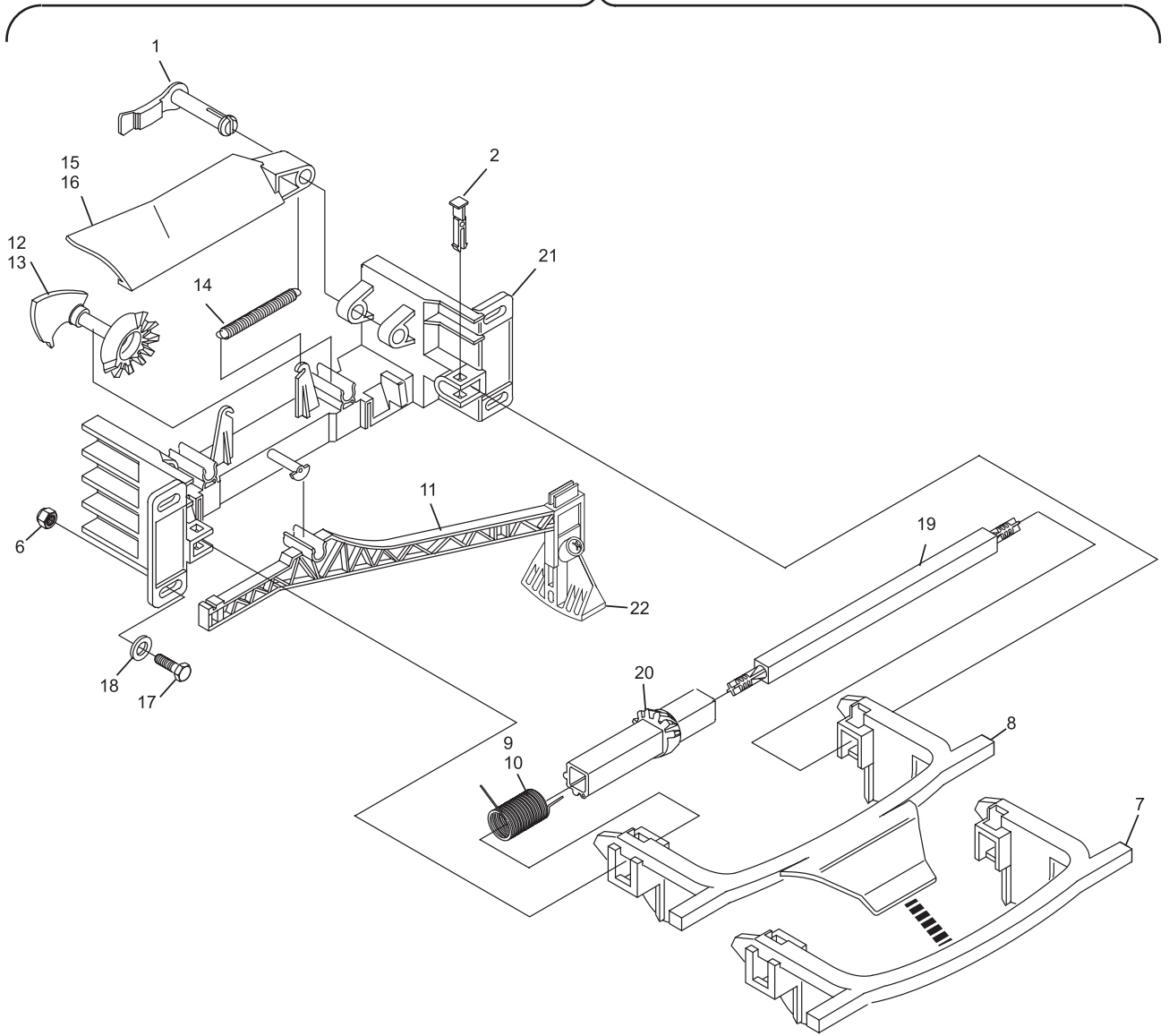
Index No.	Part No.	Description
1.	47-094787-001	Ejector Actuating Lever
2.	47-094789-003	Retaining Pin
3.	47-094792-009	Universal Pin Station Assembly Complete, (pin nos. 2,3,4,8, and 9)
4.	47-094794-009	Universal Pin Station Assembly Complete, (pin nos. 7 and 10)
5.	47-094793-009	Universal Pin Station Assembly Complete, (pin nos. 1,5, and 6)
6.	11-051743-001	Locknut (6 mm)
7.	47-094780-001	Retaining Bow w/o Flap (pin nos. 7 and 10)
8.	47-094779-001	Retaining Bow w/ Flap
9.	*47-090578-004	Torsion Spring (left-hand)
10.	**47-090577-004	Torsion Spring (right-hand)
11.	47-095154-009	Release Lever
12.	*47-094785-002	Cam Assembly (left-hand)
13.	**47-094786-002	Cam Assembly (right-hand)
14.	47-094791-004	Ejector Tension Spring
15.	*47-094783-002	Ejector Flap (left-hand)
16.	**47-094784-002	Ejector Flap (right-hand)
17.	11-051515-001	Socket Head Cap Screw (6 mm x 18 mm)
18.	11-052037-001	Flat Washer (6.4 mm x 18 mm x 1.6 mm)
19.	47-094790-003	Square Spindle
20.	47-094788-003	Spindle Gear
21.	47-094778-001	Pin Station Housing
22.	47-074782-003	Release Button

* Pin Stations 1,5 and 6

** Pin Stations 2,3 and 4 (reversed release lever), 8 and 9.

Universal Pin Station Assembly

3
4
5



Universal Pin Station Assembly

Index No.	Part No.	Description
1.	11-051858-001	Retaining Ring (A15)
2.	11-054103-001	Spacer Washer (16 mm x 28 mm x .5 mm)
3.	47-090555-003	Spur Gear (positions 1 and 2)
4.	47-093629-003	Spur Gear (position 3)
5.	47-090553-004	Intermediate Shaft
6.	11-051035-001	Hex Hd. Cap Screw (6 mm x 16 mm)
7.	11-051769-001	Lockwasher (6 mm)
8.	11-430053-000	Ball Bearing
9.	46-090494-004	Bearing Ring
10.	11-052050-001	Flat Washer (10.5 mm x 30 mm x 2.5 mm)
11.	11-051037-001	Hex Hd. Cap Screw (10 mm x 16 mm)
12.	47-093863-004	Pulley (clamped)
	N.A.	Pulley (pinned)
13.	N.A.	Middle Shaft (see index number 28)
14.	47-092203-004	Pinned Pulley Shaft
	47-093883-004	Clamped Pulley Shaft
15.	*11-052802-001	Set Screw (8 mm x 5 mm)
16.	47-092300-004	Polycord (12 mm x 20 Meters long) Roll
	47-092300-005	Polycord Roll (13 mm x 20 meters long)
17.	11-051038-001	Hex Hd. Cap Screw (8 mm x 16 mm)
18.	11-051770-001	Lockwasher (8 mm)
19.	11-051704-001	Hex Nut (8 mm)
20.	*47-093874-004	Clamp
21.	**N.A.	Spacer Washer
22.	**N.A.	Middle Shaft
23.	**N.A.	Bearing Shell
24.	11-430051-000	Bearing
25.	11-051010-001	Hex Hd. Cap Screw (8 mm x 20 mm)
26.	11-052003-001	Washer (17 mm x 8.4 x 6 mm)
27.	11-051744-001	Locknut (8 mm)
28.	***47-094350-001	Middle Shaft Assembly

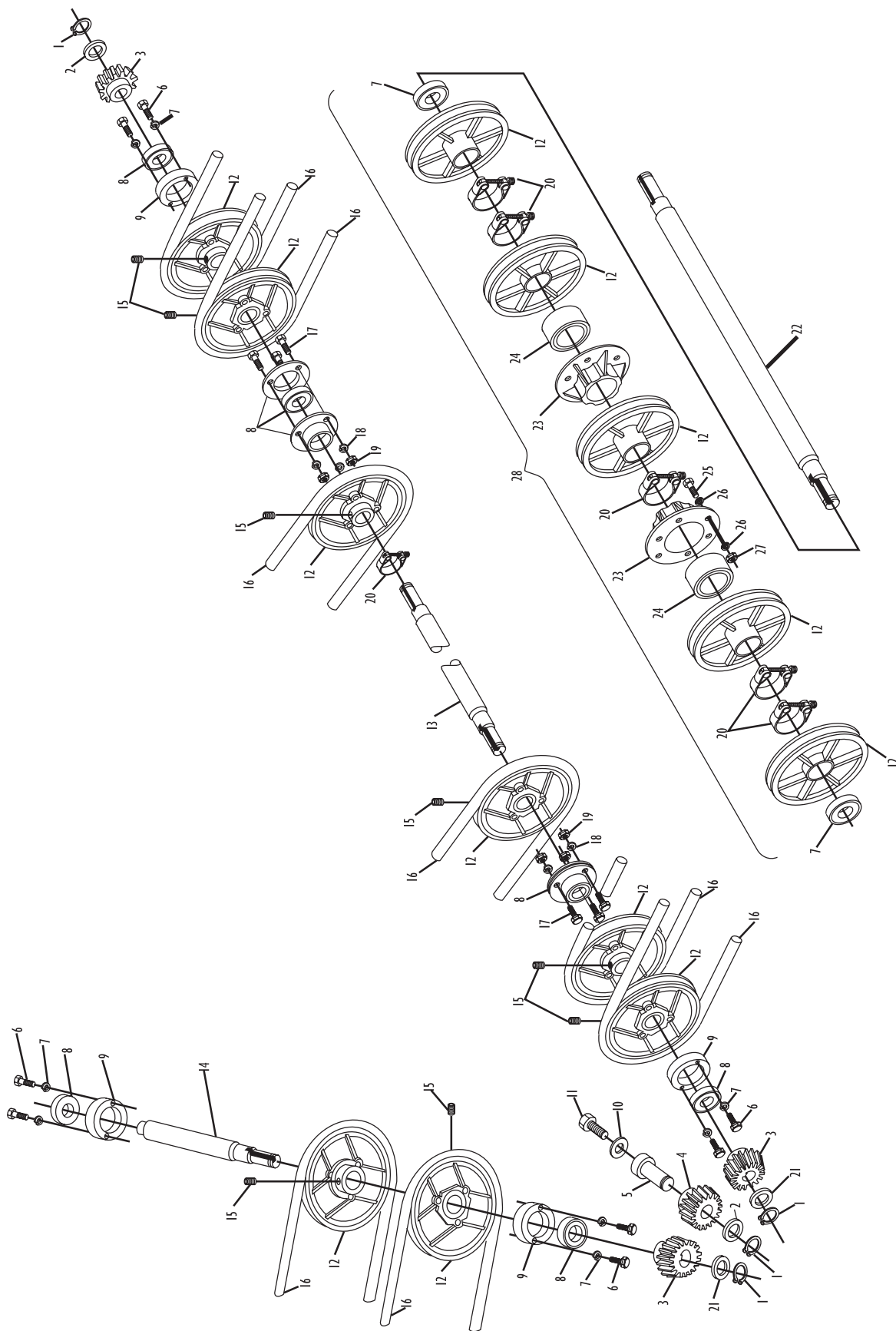
N.A. = No Longer Available

** For pulleys so equipped*

*** Order index no. 28.*

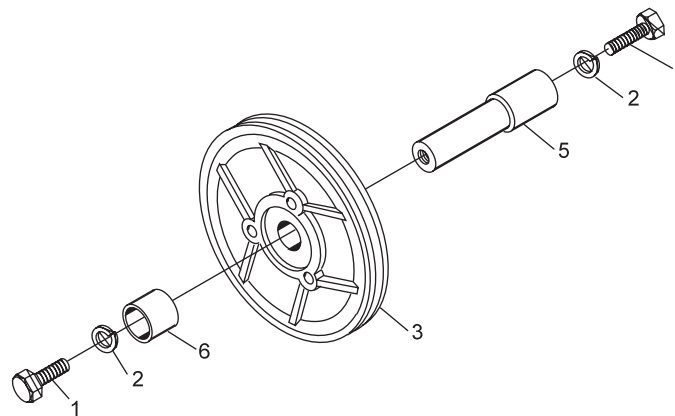
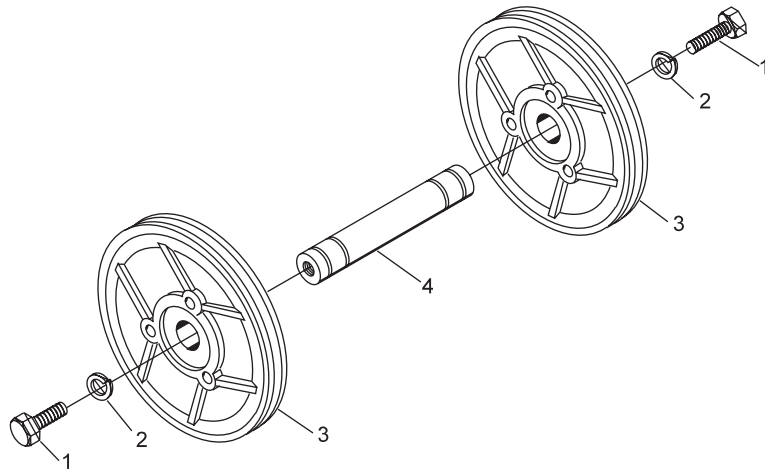
**** Includes index nos. 7, 12, 20, 22, 23, 24, 25, 26 and 27*

Dual Feed Distributor Pulley Shaft Assemblies



**Dual Feed Distributor
Pulley Shaft Assemblies**

Index No.	Part No.	Description
1.	11-051038-001	Hex Hd. Cap Screw (8 mm x 16 mm)
2.	11-051770-001	Lockwasher (8 mm)
3.	47-092415-003	Pulley with Ball Bearing
4.	47-092206-004	Shaft
5.	47-090552-004	Shaft
6.	47-091855-004	Spacer

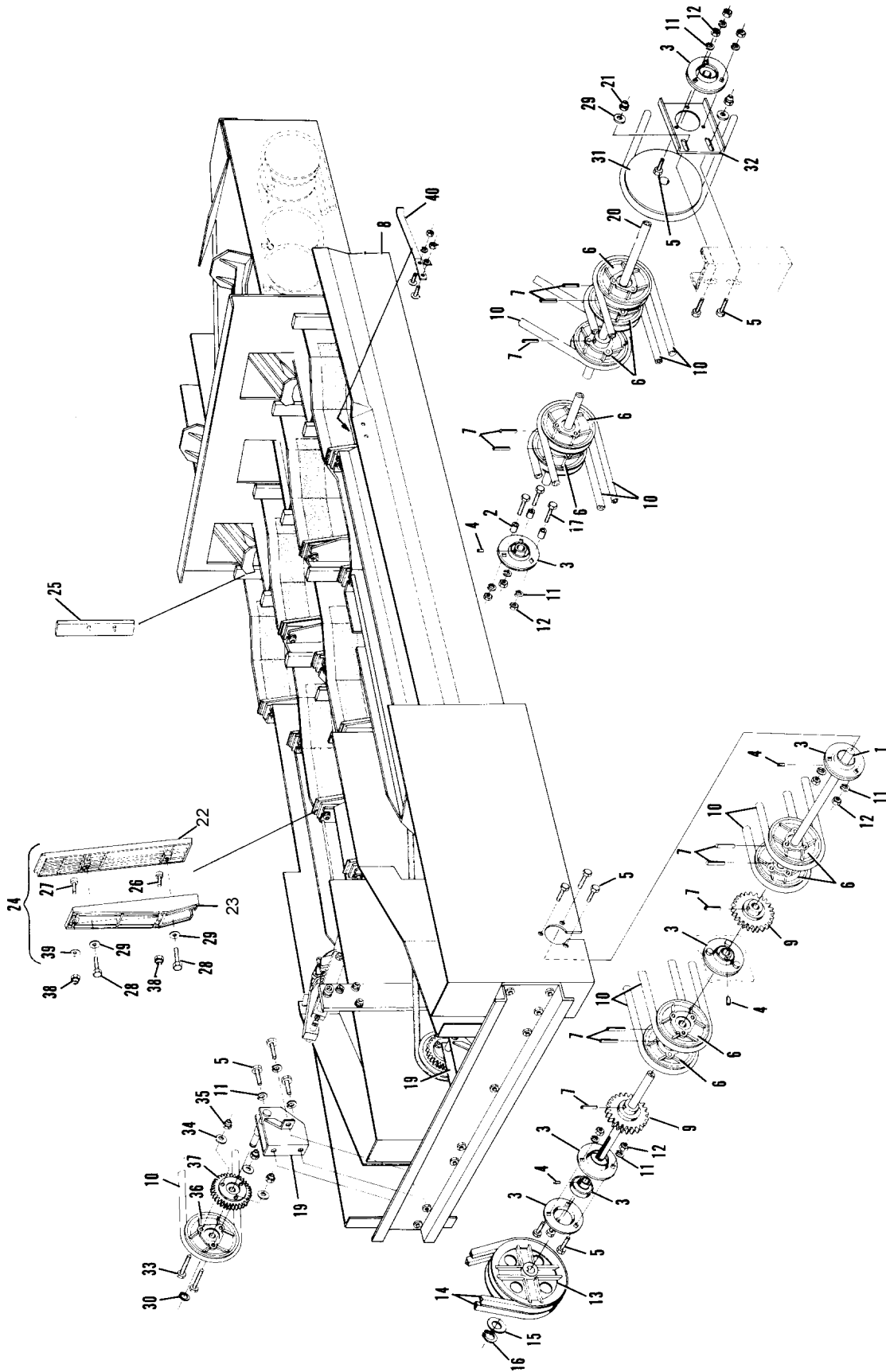


Distributor Pulleys

Index No.	Part No.	Description
1.	47-092207-004	Front Drive Shaft
2.	47-092082-004	Spacer
3.	11-052901-000	Bearing Complete with Retaining Plates
4.	11-052802-001	Set Screw (5 mm x 8 mm)
5.	11-051038-001	Hex Hd. Cap Screw (8 mm x 16 mm)
6.	47-094212-004	Pulley
7.	11-052686-001	Rolled Pin (4 mm x 40 mm)
8.	N.A.	Distributor Frame Assembly Complete
9.	47-090547-004	Spur Gear with 25 mm Collar
10.	47-092300-004	Polycord (12 mm)
	47-092300-005	Polycord Roll (13 mm x 20 meters long)
11.	11-051770-001	Lockwasher (8 mm)
12.	11-051704-001	Hex Nut (8 mm)
13.	47-090989-002	Double Pulley
14.	11-053903-000	V-Belt (13 mm x 8 mm x 1375 mm)
15.	11-054102-001	Spacer Flat Washer (25 mm x 36 mm x 1 mm)
16.	11-051856-001	Retaining Ring (A25)
17.	11-051044-001	Hex Hd. Cap Screw (8 mm x 30 mm)
18.	N.A.	Single Feed Distributor Assembly Complete
19.	47-092193-003	Pulley Holder
20.	47-090974-004	Rear Drive Shaft
21.	11-051744-001	Locknut (8 mm)
22.	N.A.	Slider
23.	N.A.	Slider Mount
24.	47-091284-002	Slider Assembly Complete
25.	47-090969-003	Stop
26.	11-051526-001	Socket Hd. Cap Screw (6 mm x 30 mm)
27.	11-051520-001	Socket Hd. Cap Screw (6 mm x 20 mm)
28.	11-051043-001	Hex Hd. Cap Screw (8 mm x 12 mm)
29.	11-052019-001	Flat Washer (8.4 mm x 25 mm x 2 mm)
30.	11-051852-001	Retaining Ring (17 mm)
31.	47-092137-003	Aluminum Drive Pulley
32.	47-090975-003	Mounting Plate
33.	11-051027-001	Hex Hd. Cap Screw (5 mm x 40 mm)
34.	11-052005-001	Flat Washer (5.3 mm x 10 mm x 1 mm)
35.	11-051742-001	Locknut (5 mm)
36.	47-092415-003	Pulley with Bearing
37.	47-093547-004	Spur Gear with Bearing
38.	11-051743-001	Locknut (6 mm)
39.	11-052008-001	Flat Washer (6.4 mm x 12.5 mm x 1.6 mm)
40.	47-091512-003	Flat Spring
41.	*47-093874-004	Clamp

N.A. = No Longer Available

** Not Illustrated*

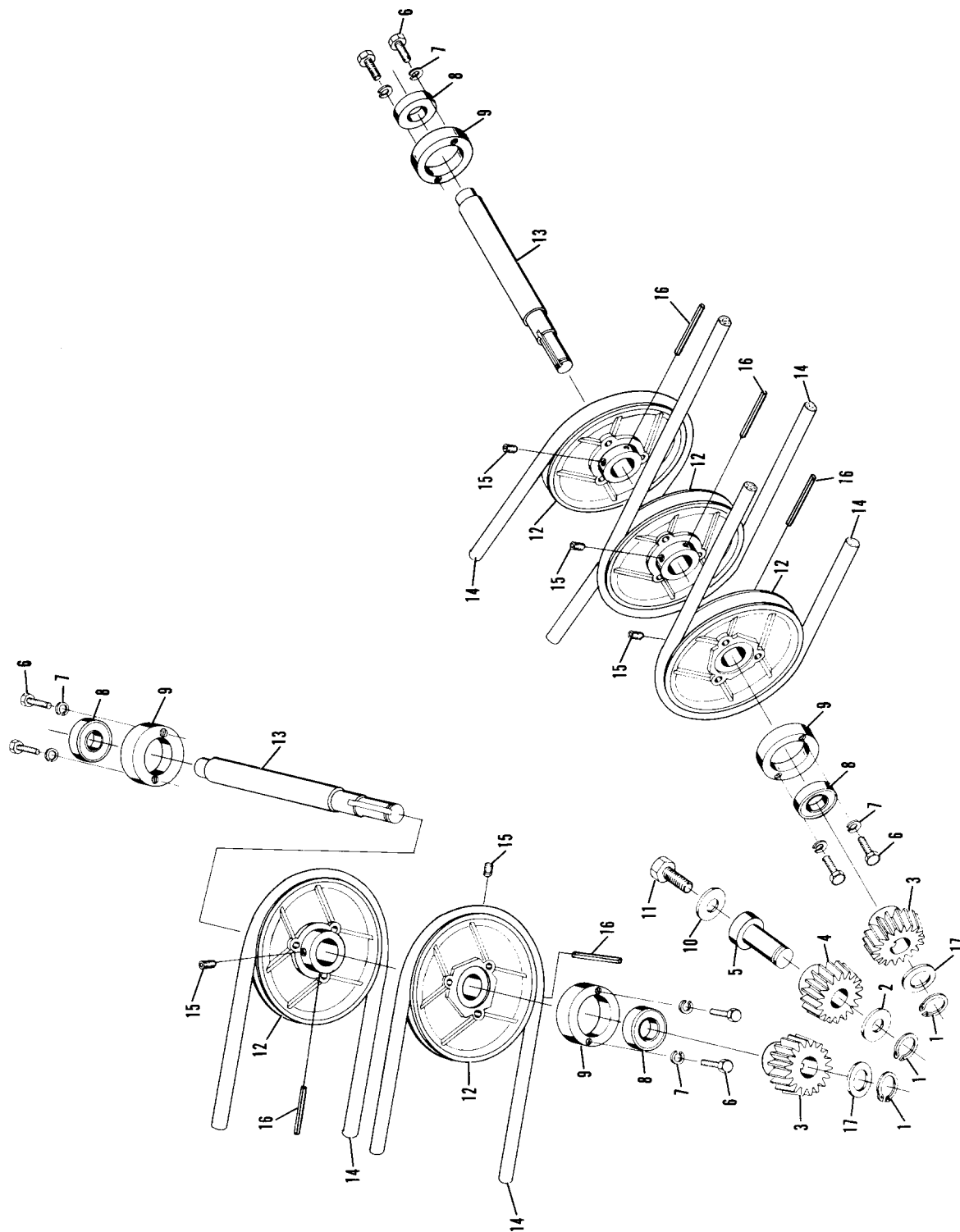


Single Feed Distributor

Index No.	Part No.	Description
1.	11-051858-001	Retaining Ring (A15)
2.	11-054103-001	Spacer Washer (16 mm x 28 mm x 0.5 mm)
3.	47-090555-003	Spur Gear (positions 1 and 2)
4.	47-093629-003	Spur Gear (position 3)
5.	47-090553-004	Intermediate Shaft
6.	11-051035-001	Hex Hd. Cap Screw (6 mm x 16 mm)
7.	11-051769-001	Lockwasher (6 mm)
8.	11-430053-000	Ball Bearing
9.	46-090494-004	Bearing Ring
10.	11-052050-001	Flat Washer (10.5 mm x 30 mm x 2.5 mm)
11.	11-051037-001	Hex Hd. Cap Screw (10 mm x 16 mm)
12.	47-093863-004	Pulley
13.	47-090536-003	Shaft
14.	47-092300-004	Polycord (12 mm)
	47-092300-005	Polycord Roll (13 mm x 20 meters long)
15.	11-052802-001	Set Screw (5 mm x 8 mm)
16.	11-052686-001	Rolled Pin (4 mm x 40 mm)
17.	N.A.	Spacer Washer (15 mm x 28 mm 1.6 mm)

N.A. = No Longer Available

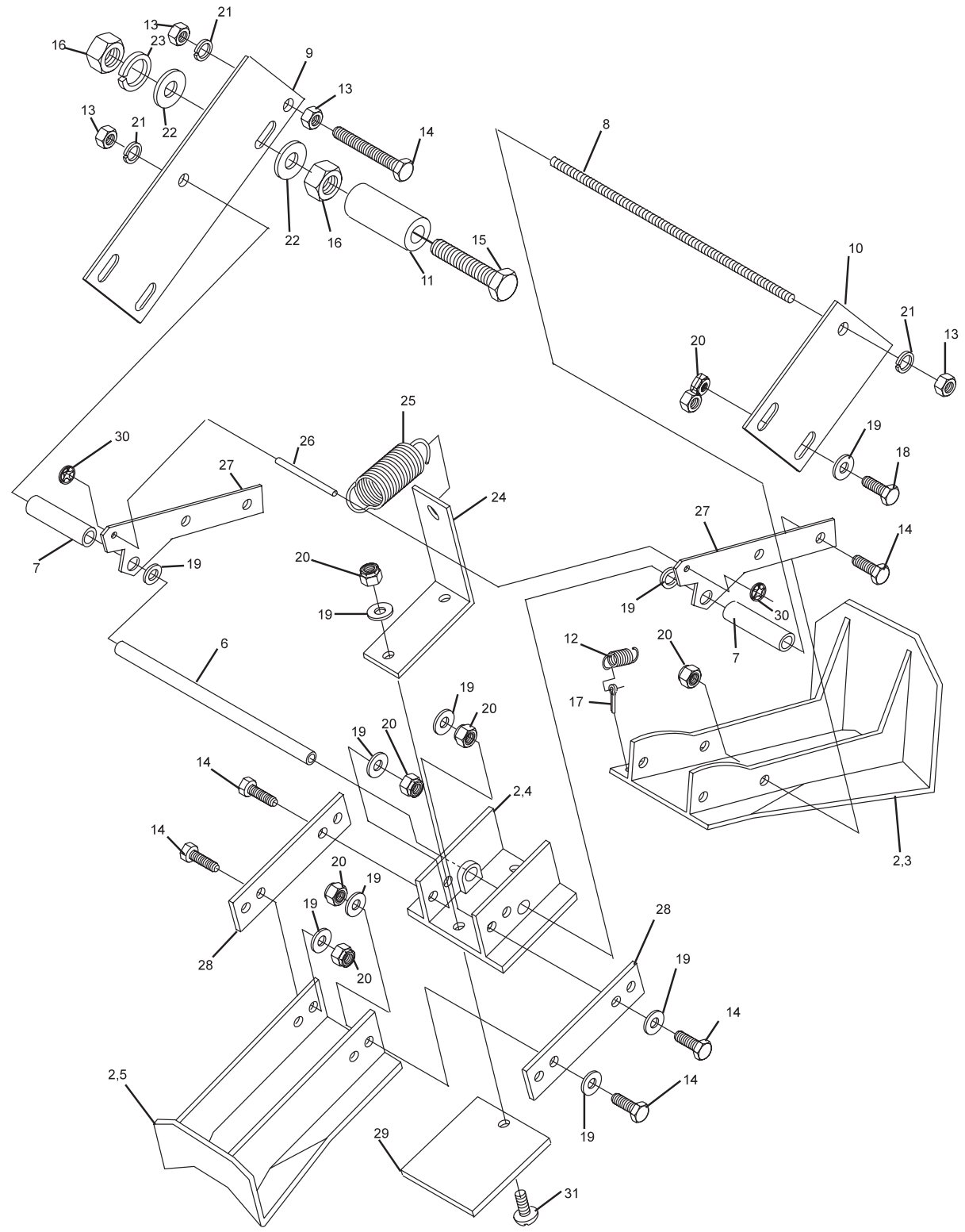
Single Feed Distributor Pulley Shaft Assemblies



**Single Feed Distributor
Pulley Shaft Assemblies**

Index No.	Part No.	Description
1.	47-091182-001	Pin Separator Assembly
2.	47-091173-001	Pin Separator (3 piece)
3.	47-094675-009	Pin Separator (front)
4.	47-094676-009	Pin Separator (middle)
5.	47-094677-009	Pin Separator (rear)
6.	47-091174-004	Sleeve
7.	47-091175-004	Spacer
8.	47-091176-004	Shaft
9.	47-091177-004	Bearing Plate
10.	47-091178-004	Plate
11.	47-091179-004	Spacer
12.	47-091181-004	Tension Spring
13.	11-051702-001	Hex Nut (6 mm)
14.	11-051042-001	Hex Hd. Cap Screw (6 mm x 50 mm)
15.	11-051034-001	Hex Hd. Cap Screw (8 mm x 45 mm)
16.	11-051704-001	Hex Nut (8 mm)
17.	11-051795-001	Spilt Pin (1.6 mm x 16 mm)
18.	11-051035-001	Hex Hd. Cap Screw (6 mm x 16 mm)
19.	11-052008-001	Flat Washer (6.4 mm x 12.5 mm x 1.6 mm)
20.	11-051743-001	Locknut (6 mm)
21.	11-051769-001	Lockwasher (6 mm)
22.	11-052003-001	Flat Washer (8.4 mm x 17 mm x 1.6 mm)
23.	11-051770-001	Lockwasher (8 mm)
24.	47-092139-001	Plate
25.	47-041792-004	Spring
26.	47-092140-001	Pin
27.	47-092138-001	Plate
28.	47-092144-001	Plate
29.	47-092145-001	Plate
30.	11-053482-001	Starlock (6 mm)
31.	11-051880-001	Truss Hd. Slted. Screw (6 mm x 16 mm)

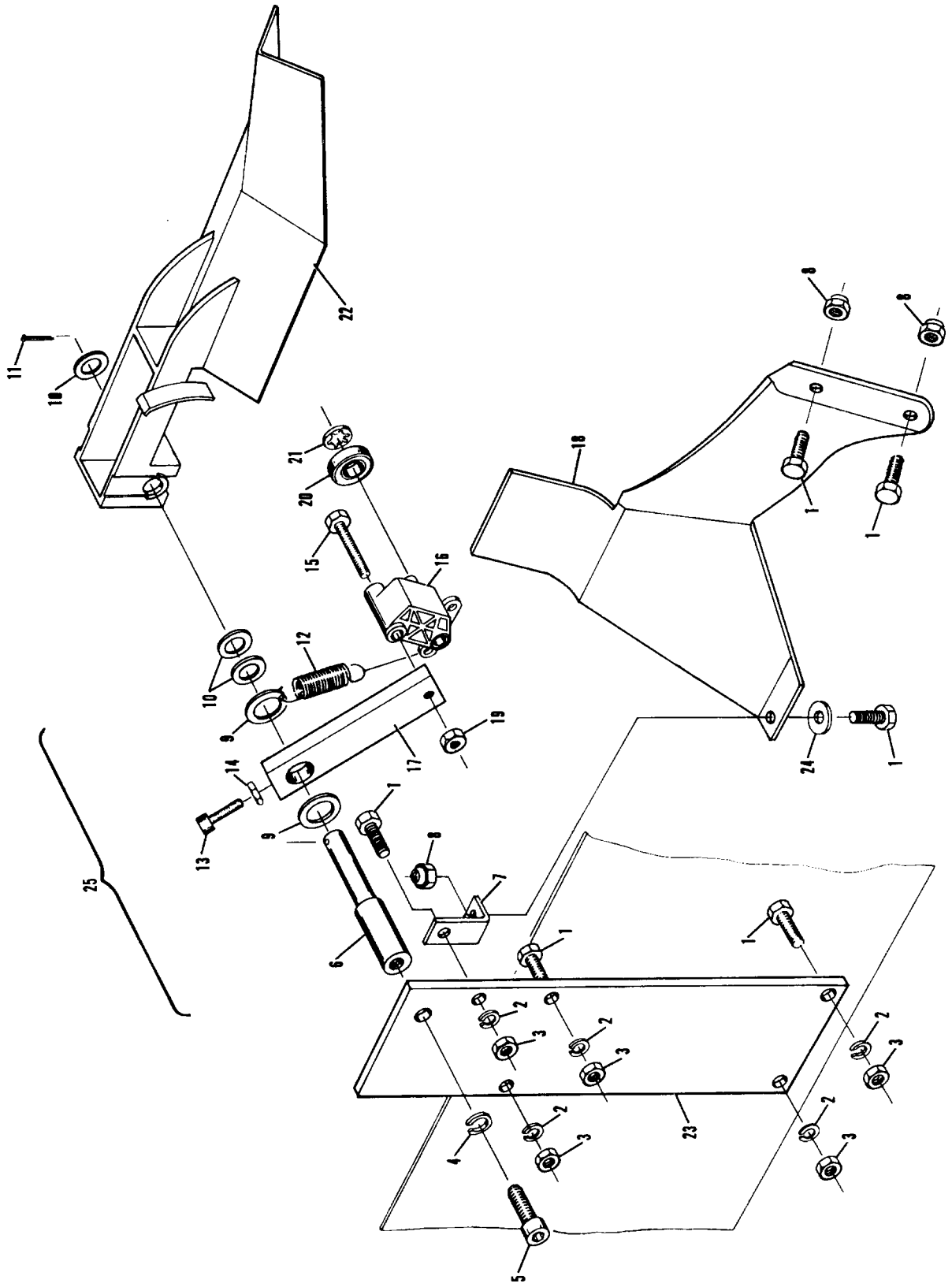
Pin Separator Assembly



Pin Separator Assembly

Index No.	Part No.	Description
1.	11-051035-001	Hex Hd. Cap Screw (6 mm x 16 mm)
2.	11-051769-001	Lockwasher (6 mm)
3.	11-051702-001	Hex Nut (6 mm)
4.	11-051772-001	Lockwasher (12 mm)
5.	11-051540-001	Socket Hd. Cap Screw (12 mm x 20 mm)
6.	47-090773-004	Shaft
7.	47-092085-004	Angle Bracket
8.	11-051743-001	Locknut (6 mm)
9.	11-052038-001	Flat Washer (21 mm x 33 mm x 2.5 mm)
10.	11-052036-001	Flat Washer (15 mm x 24 mm x 2 mm)
11.	11-051786-001	Split Pin (2.5 mm x 25 mm)
12.	47-092046-004	Tension Spring
13.	11-051515-001	Socket Hd. Cap Screw (6 mm x 18 mm)
14.	11-053155-001	Hex Hd. Jam Nut (6 mm)
15.	11-051032-001	Hex Hd. Cap Screw (8 mm x 55 mm)
16.	47-092045-004	Bearing Holder
17.	47-092044-004	Shaft Plate
18.	47-090856-001	Flap
19.	11-051704-001	Hex Nut (8 mm)
20.	11-430049-000	Bearing
21.	11-053480-001	Starlock (10 mm)
22.	47-090791-001	Head Centering Flap
23.	47-091501-003	Mounting Plate
24.	11-052048-001	Flat Washer (6.4 mm x 16 mm x 1.6 mm)
25.	47-092072-002	Pin Head Centering Device Assembly Complete

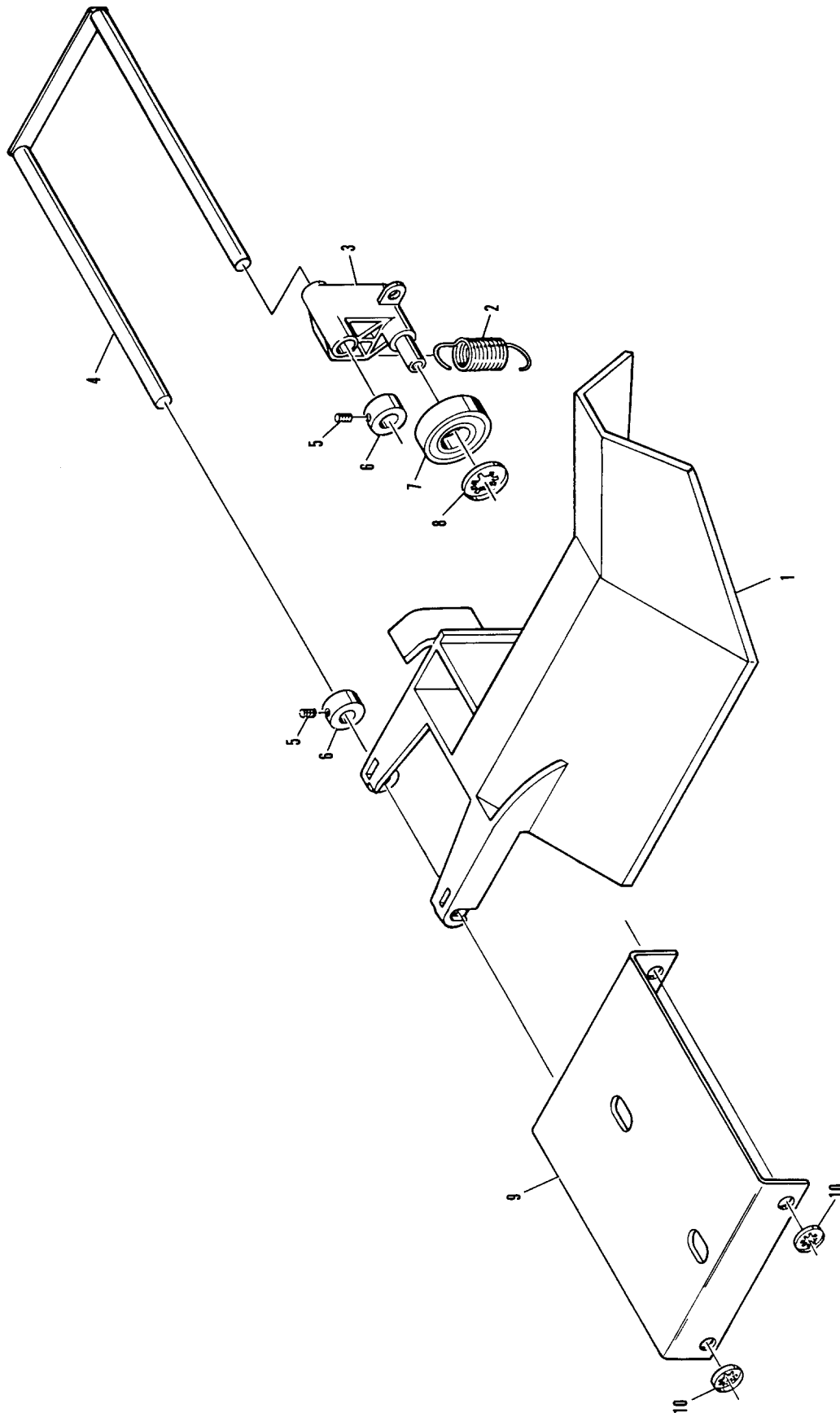
Pin Head Centering Device Assembly



Pin Head Centering Device Assembly

Index No.	Part No.	Description
1.	47-092043-001	Head Centering Flap
2.	47-051491-004	Tension Spring
3.	47-092045-004	Bearing Holder
4.	47-092053-004	Double Shaft Assembly
5.	11-052802-001	Set Screw (5 mm x 8 mm)
6.	11-053622-001	Stop Collar (8 mm x 16 mm x 8 mm)
7.	11-430049-000	Bearing
8.	11-053478-001	Starlock (10 mm)
9.	47-092052-003	Mounting Plate
10.	11-053480-001	Starlock (8 mm)

Pin Head Centering Device Assembly

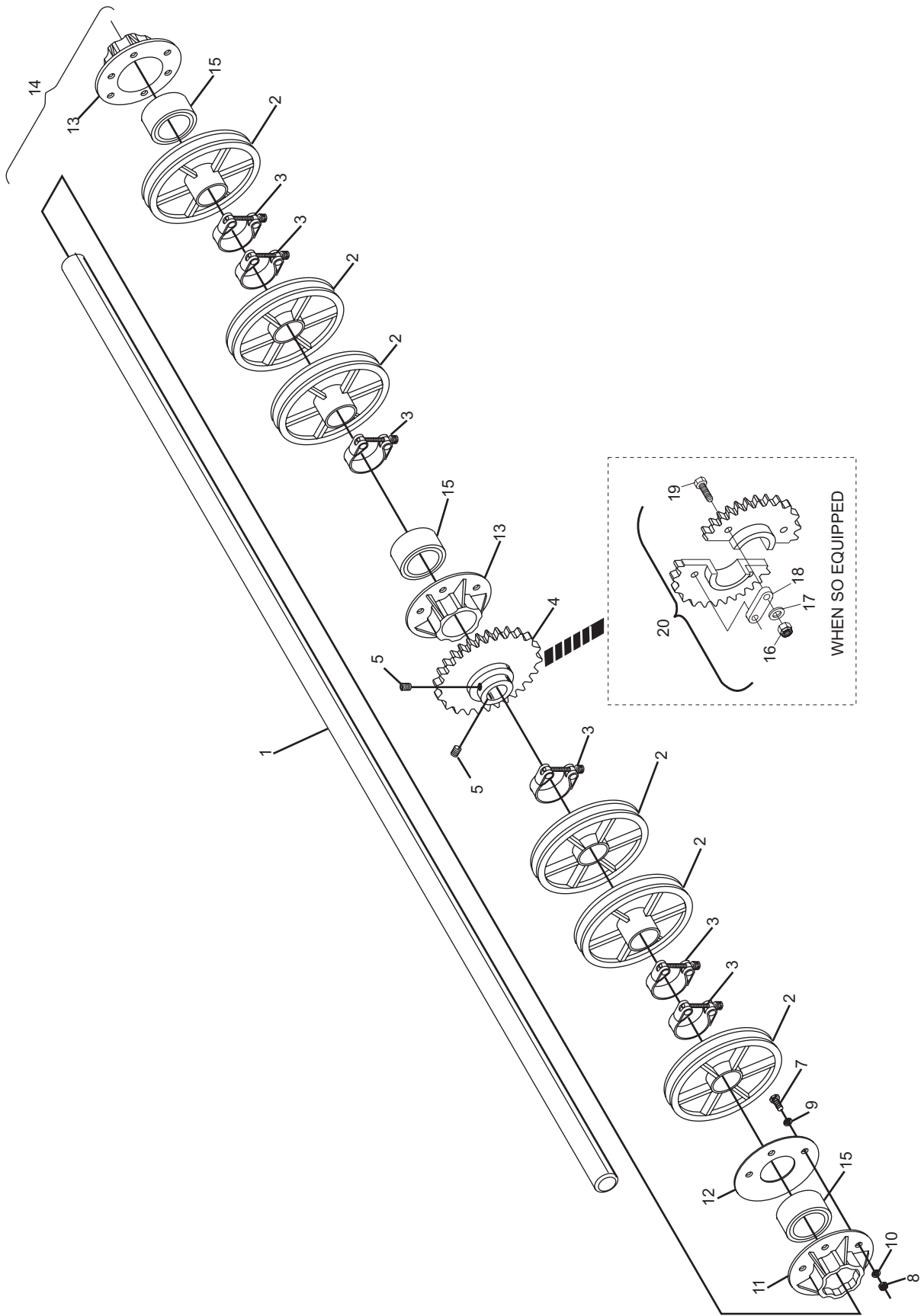


Pin Head Centering Device Assembly

Index No.	Part No.	Description
1.	N.A.	Rear Pulley Shaft
2.	47-093863-004	Round Belt Pulley (132 mm) use 12 mm Polycord Belt
	47-024839-002	Round Belt Pulley (162 mm) use 15 mm Polycord Belt
3.	47-093874-004	Pulley Clamp
4.	47-093900-004	Spur Gear (one piece)
5.	11-052801-001	Set Screw (6 mm x 6 mm)
6.	11-430051-000	Bearing
7.	11-051038-001	Hex Hd. Screw (8 mm x 20 mm)
8.	11-051704-001	Hex Nut (8 mm)
9.	11-052003-001	Washer (8.4 mm x 17.0 mm x 1.6 mm)
10.	11-051744-001	Lock Washer (8 mm)
11.	47-094346-003	Bearing Shell w/ Shoulder
12.	47-094351-003	Washer
13.	47-094347-003	Bearing Shell
14.	47-094348-001	Rear Distributor Shaft Assembly (or order 47-274462-009)
15.	47-095050-003	Plastic Bearing
16.	11-051743-001	Hex Nut (6 mm)
17.	11-052008-001	Washer (6.4 mm x 12.5 mm x 1.6 mm)
18.	46-030121-004	Link
19.	11-051028-001	Hex Hd. Cap Screw (6 mm x 25 mm)
20.	47-274669-004	Spur Gear (two piece)

N.A. = No Longer Available

Distributor Rear Pulley Shaft



Distributor Rear Pulley Shaft

Index No.	Part No.	Description
1.	47-093929-001	Pin Guide Wedge (left-hand)
2.	11-051852-001	Retaining Ring (17 mm)
3.	47-092415-003	Round Belt Pulley
4.	11-052808-001	Socket Set Screw (8 mm x 40 mm)
5.	47-094072-003	Side Plate (right-hand)
6.	11-052019-001	Flat Washer (8.4 mm x 25 mm x 2 mm)
7.	47-013924-003	Elevator Bracket without Rubber Mount (336 mm long)
	47-014354-003	Elevator Bracket without Rubber Mount (321 mm long)
8.	11-051770-001	Lockwasher (8 mm)
9.	11-052008-001	Flat Washer (6.4 mm x 12.5 mm x 1.6 mm)
10.	47-093906-001	Pin Guide Wedge (right-hand)
11.	47-093925-004	Spacer
12.	11-051053-001	Hex Hd. Machine Screw (8 mm x 40 mm)
13.	11-051001-001	Hex Hd. Machine Screw (6 mm x 12 mm)
14.	11-051769-001	Lockwasher (6 mm)
15.	47-093898-003	Guide
16.	11-052686-001	Rolled Pin (4 mm x 40 mm)
17.	47-093899-004	Gear
18.	47-094326-004	Flange
19.	11-052605-001	Carriage Bolt (6 mm x 16 mm)
20.	47-094095-002	Fin Switch Complete
21.	11-430007-000	Bearing
22.	47-093962-004	Tension Spring
23.	11-053478-001	Speed Nut (8 mm)
24.	47-093908-002	Pin Guide Housing
25.	47-093905-004	Shaft
26.	47-093894-003	Pin Guide Wires Complete
27.	47-092206-004	Shaft
28.	47-094035-003	Side Plate (left-hand)
29.	11-052803-001	Set Screw (6 mm x 10 mm)
30.	47-093985-002	Extensions (short pit)
	47-092249-002	Extensions (long pit)
31.	47-093891-003	Mounting Plate
32.	11-052003-001	Flat Washer (8.4 mm x 17 mm x 1.6 mm)
33.	11-051038-001	Hex Hd. Machine Screw (8 mm x 16 mm)
34.	47-094212-004	Round Belt Pulley
35.	47-093874-004	Pulley Clamp
36.	47-093928-004	Drive Shaft
37.	11-051744-001	Locknut (8 mm)
38.	11-051702-001	Locknut (6 mm)
39.	*47-093934-003	Pin Deflector Shoe - Single Piece
40.	11-051072-001	Hex Hd. Machine Screw (6 mm x 14 mm)
41.	47-093920-000	Shark Switch Assembly Complete
42.	47-093911-003	Shark Rail (left-hand)
43.	47-093910-003	Shark Rail (right-hand)
44.	11-052037-001	Flat Washer (6.4 mm x 18 mm x 1.6 mm)
45.	47-274659-009	Shark Switch Shaft Assembly
46.	11-051743-001	Nylok Nut (6 mm)
47.	11-052850-000	Set Screw (6 mm x 20 mm)
48.	11-053579-000	Rubber Mount

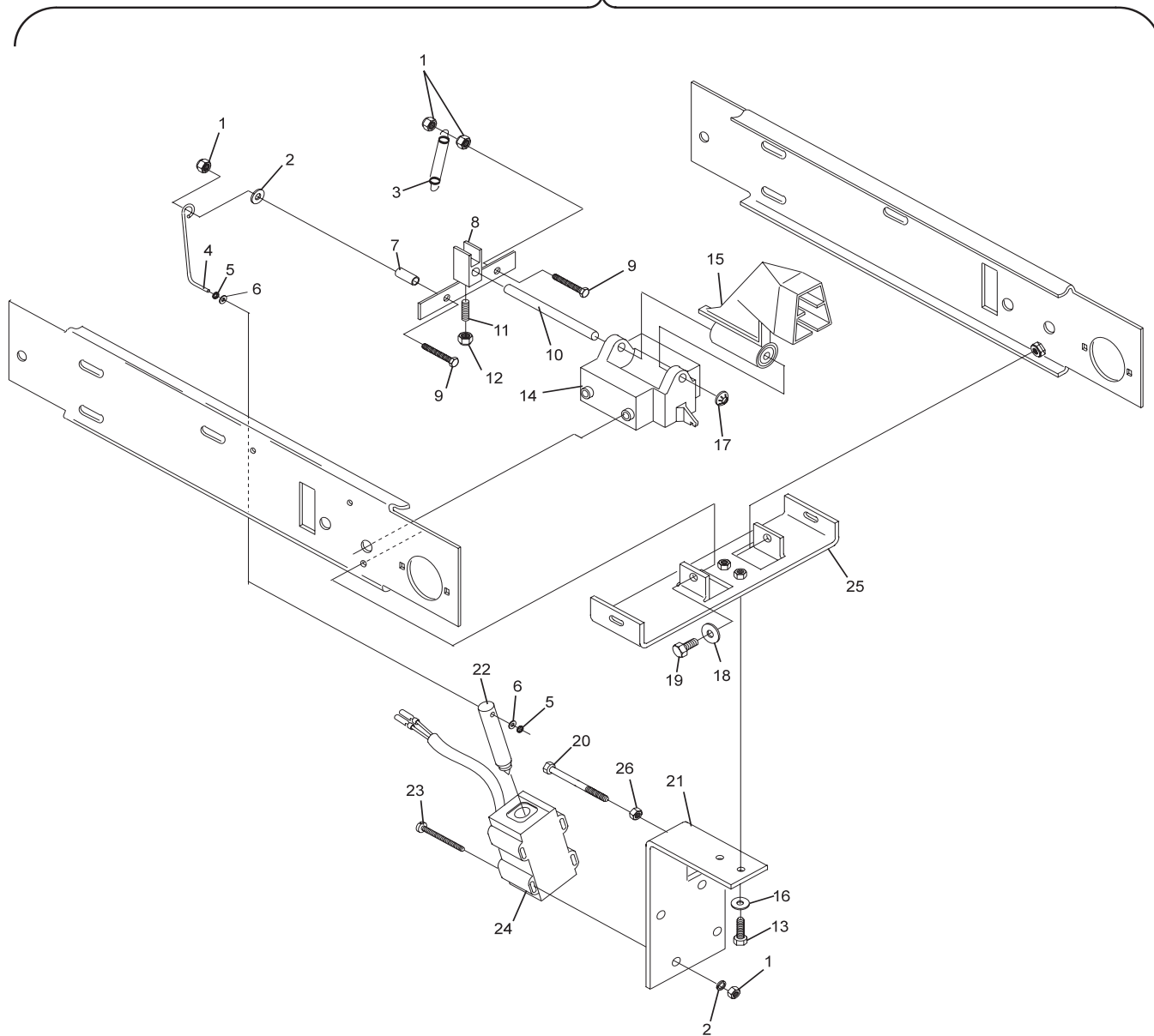
* For Two-Piece Shoe, order 1 each 47-095172-003 Right-Hand Shoe and 1 each 47-095173-000 Left-Hand Shoe.

Shark Switch Assembly

Short Pit Machines Series 43 and Above (Excludes Smart Shark)

Index No.	Part No.	Description
1.	11-051742-001	Nut (5 mm)
2.	11-052039-001	Flat Washer (5.3 mm)
3.	47-094713-004	Spring
4.	47-094264-004	Solenoid Link
5.	11-053476-001	Quicklock
6.	11-052021-001	Flat Washer
7.	47-094265-004	Spacer
8.	47-094270-004	See Saw (Teeter)
9.	11-051004-001	Hex Head Screw (5 mm x 25 mm)
10.	47-093905-004	Shaft
11.	11-052850-000	Socket Set Screw (6 mm x 20 mm)
12.	11-051743-001	Locknut (6 mm)
13.	11-051035-001	Hex Head Machine Screw (6 mm x 16 mm)
14.	47-093908-002	Pin Guide Housing
15.	47-094095-002	Fin Switch Complete
16.	11-051769-001	Washer
17.	11-053478-001	Speed Nut (8 mm)
18.	11-052003-001	Flat Washer (8.4 mm x 17 mm x 1.6 mm)
19.	11-051038-001	Hex Hd. Machine Screw (8 mm x 16 mm)
20.	11-051089-001	Hex Head Cap Screw (5 mm x 45 mm)
21.	47-094704-003	Solenoid Bracket
22.	99-060133-004	Solenoid Plunger
23.	11-051558-001	Hex Head Machine Screw (5 mm x 55 mm)
24.	99-060242-004	Solenoid
25.	47-093891-003	Mounting Plate (includes Weldnut)
26.	11-051701-001	Nut (5 mm)
27.	47-094722-001	Smart Shark Assembly Complete (GS-96)

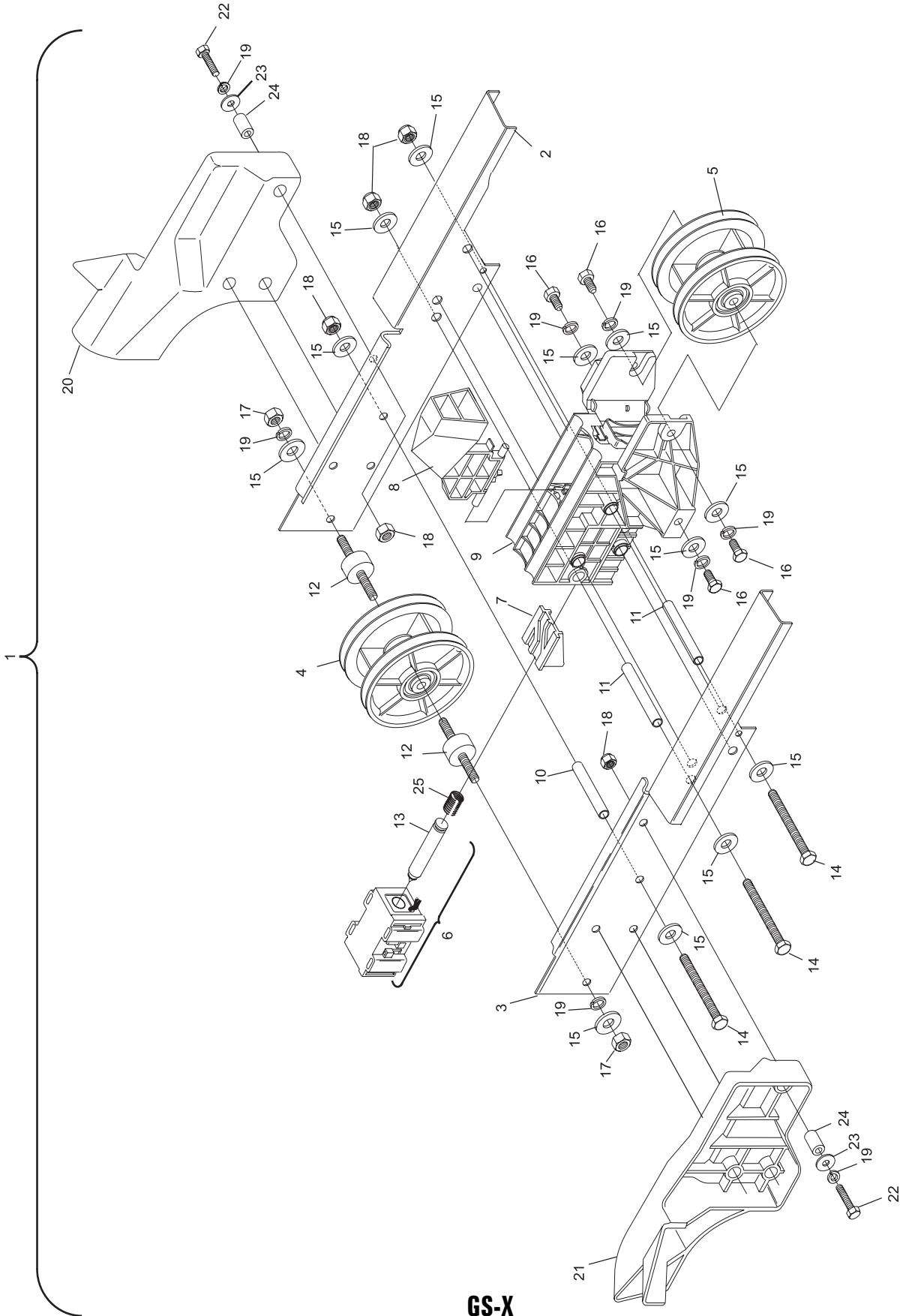
**Smart Shark
(GS - 96)**



**Smart Shark
(GS - 96)**

Index No.	Part No.	Description
1.	47-095108-001	Shark Switch Assembly
2.	47-095104-001	Guide (right-hand)
3.	47-095103-001	Guide (left-hand)
4.	47-095100-001	Round Belt Pulley with Bearings - Complete
5.	47-095101-001	Round Belt Geared Pulley with Bearings - Complete
6.	99-060387-004	Solenoid - Complete
7.	47-095105-003	Slide
8.	47-095106-001	Fin Switch
9.	47-095102-001	Housing
	47-095107-003	Housing - Complete
10.	47-095112-004	Spacer - short
11.	47-095109-004	Spacer - long
12.	11-053579-000	Rubber Bumper
13.	47-095111-004	Solenoid Plunger
14.	11-051081-001	Hex Hd. Cap Screw (8 mm x 100 mm)
15.	11-052006-001	Washer (8.4 mm x 20 mm x 2 mm)
16.	11-051010-001	Hex Hd. Cap Screw (8 mm x 20 mm)
17.	11-051704-001	Hex Nut (8 mm)
18.	11-051744-001	Lock Nut (8 mm)
19.	11-051770-001	Lock Washer (8 mm)
20.	47-093906-001	Pin Guide Wedge (right-hand)
21.	47-093929-001	Pin Guide Wedge (left-hand)
22.	11-051026-001	Hex Hd. Cap Screw (8 mm x 40 mm)
23.	11-052019-001	Washer (8.4 mm x 24 mm x 2 mm)
24.	47-093925-004	Spacer
25.	99-090348-004	Spring (GS-X Smart Shark)

**GS-X
Smart Shark**



**GS-X
Smart Shark**