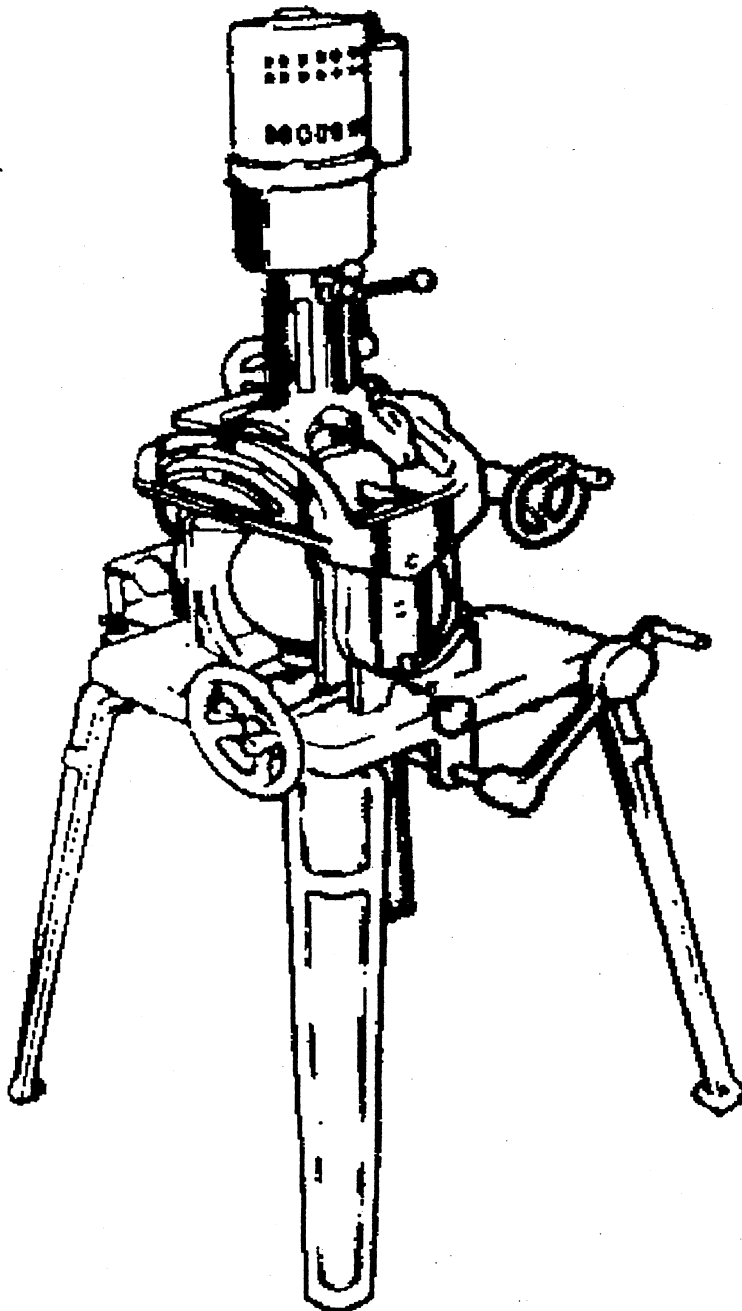


# GIL-MAC<sup>®</sup>

PRECISION CONTROL  
BALL DRILLER



MODEL 60

MODEL 80

MODEL 80R

MODEL 85

---

**REPLACEMENT PARTS CATALOG**

---

*JAN. 1995*

# MODEL 60

Item #	Part #	Description	Cost
1	3031001	Electric Motor 60hz	
2	3031002	Electric Motor 50hz	
3	3031003	Motor Shaft Key	
4	3031004	Motor Seal	
5	3031005	Motor Seal O'Ring	
6	3031006	Drive Gear	
7	3031007	Set Screw	
8	3031008	Cap Screw	
9	3031009	Motor Mounting Plate	
10	3031010	Mounting Plate O'Ring	
11	3031011	Cap Screw	
12	3031012	Pump Gasket	
13	3031013	Planetary Gear	
14	3032014	Replacement Cylinder	
15	3031015	Air Vent	
16	3031016	Overflow Bleeder	
17	3031017	Cap Screw	
18	3031018	Internal Gear	
19	3031019	Head Casting	
20	3031020	Gear Rack	
21	3031021	Bearing Retainer	
22	3031022	Knob	
23	3031023	Depth Indicator Finger	
24	3031024	Cap screw	
25	3031025	Flat Washer	
26	3031026	Shaft	
27	3031027	Thumb Screw	
28	3031028	Hand Feed Wheel	
29	3031029	Valve Stem	
30	3031030	Drill Retaining Spring	
31	3031031	Control Valve Plate	
32	3031032	Control Valve Handle	
33	3031007	Set Screw	
* 33a	3031033	Internal Piston Seal	
34	3031034	Control Valve O'Ring	
35	3031035	Control Valve Gasket	
36	3031036	Planetary Gear Carrier	
37	3031037	Cap Screw	
* 38	3031038	Thrust Bearing Cap	
* 39	3031039	Thrust Bearing	
40	3031040	Cap Screw	
* 41	3031041	Pressure Valve	
42	3031042	Pump Housing	
43	3031043	Pump Gear	
44	3031044	Idler Gear	
45	3031045	Stud	
46	3031046	Pump Valve Plate	
* 47	3031047	Spindle Shaft O'Ring	
48	3031048	Pump Drive Key	
49	3031049	Spindle Shaft	
50	3031050	Cylinder Plug	
51	3031051	Piston	
52	3031052	Piston O'Ring	
* 53	3031053	Needle Bearings	
54	3031054	Cylinder	
* 55	3031055	Quill	
56	3031056	Drill Chuck	
* 57	3031057	1/2 Gal. Hydraulic Fluid	
* 57a	3032057	1 Qt. Hydraulic Fluid	
58	3031058	Motor Shaft O'Ring	
59	3031059	Street Ell	
60	3031060	Coupling	
61	3031061	Shim	
62	3031062	Bottom Quill Plate	
63	3031063	Quill Bearing	

**\* NOTES:**

3031001: Motors with a General Electric model # beginning with "5KC38" use part # 3031001.  
 Motors with a General Electric model # beginning with "5KC45" use part # 3032001.

3031015: If the plastic Bleeder mounts about 1" below the motor, use this part #. If the bleeder mounts 2"-3" below the motor, use part # 3032016.

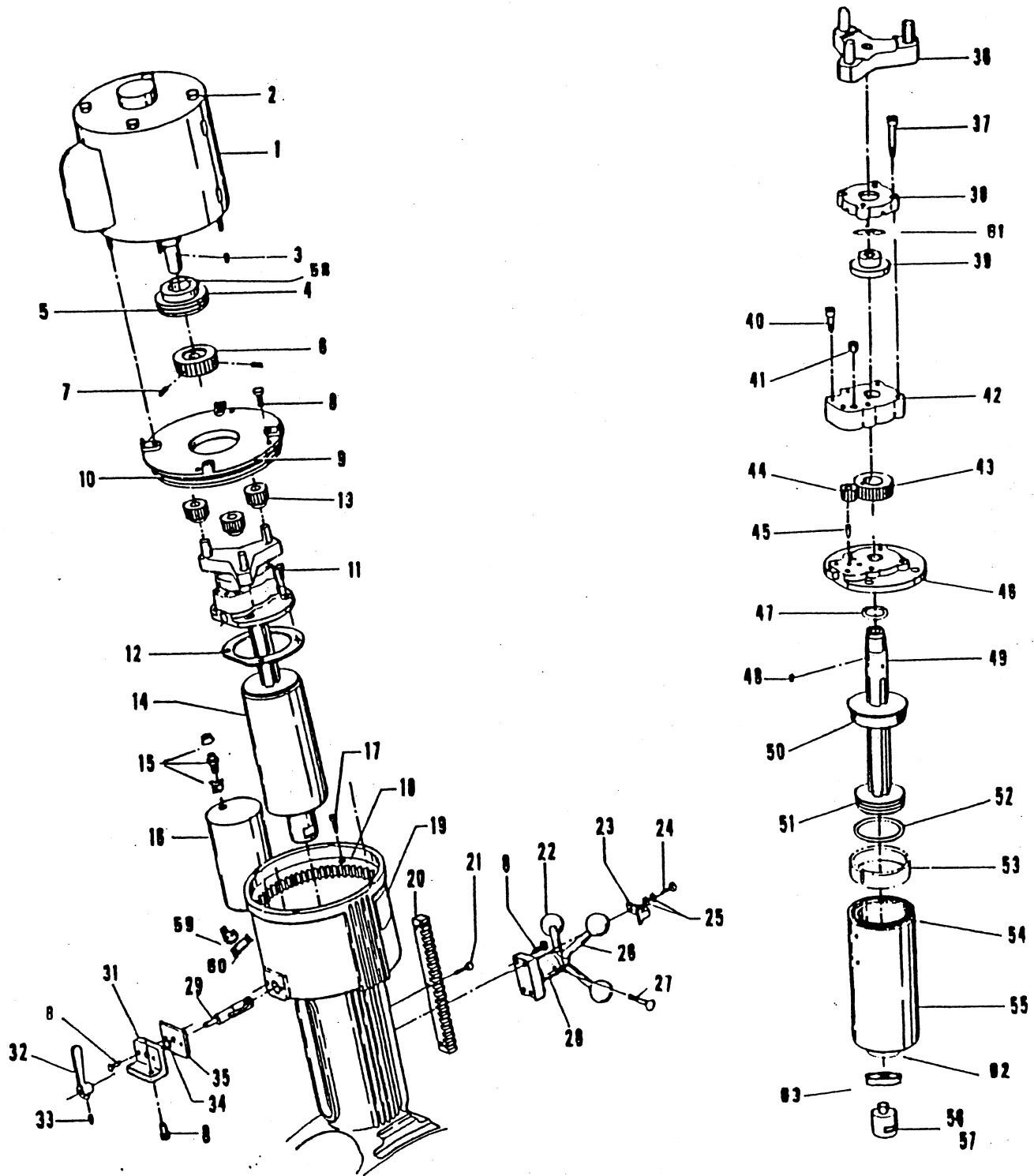
3031021, 3031030, 3031033, 3031057 & 3032057 are not shown pictured in the illustration.

3031038, 3031039 & 3031041 were not used on some of the very early model 60 GIL-MACs.

3031047: On some repairs and remanufactures from 1992 to date utilized a larger than stock O'Ring in place of the original in order to save the customer from needing to purchase a new 3031046. When ordering this part, or a seal or O'Ring kit, make sure of the size of this part number.

3031053 & 3031055: These items must be purchased together. You may purchase a used set of 3031053 for an old 3031055, however if you need a new 3031055, you must purchase a new 3031053.

# MODEL 60



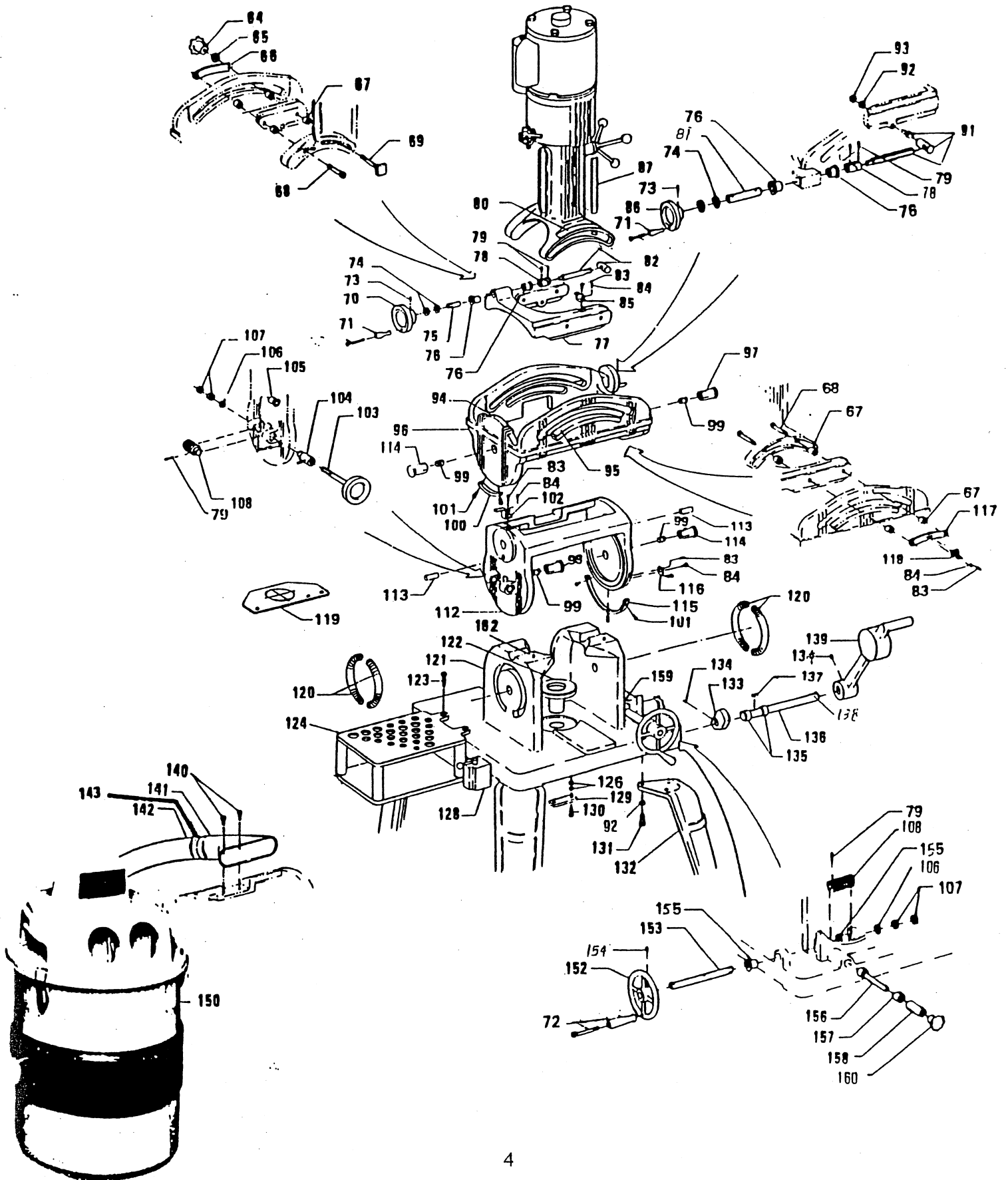
# MODEL 60

Item #	Part #	Description	Cost	Item #	Part #	Description	Cost
64	3031064	Lock Knob		113	3031113	Spring Load Pin	
65	3031065	Thrust Washer		114	3031114	Hinge Pin	
66	3031066	Cam Roll Cover		115	3031115	Span Gear	
67	3031067	Cam Bearing		116	3031116	Span Indicator Finger	
68	3031068	Cam Roll Shaft		117	3031117	Cam Roll Cover	
69	3031069	Lock Bolt		118	3031118	Spread Indicator Finger	
70	3031070	Side Pitch Hand Wheel		119	3031119	Ball Locating Plate	
71	3031071	Revolving Handle		120	3031120	Spring	
72	3031072	Revolving Handle		121	3031121	Base Casting	
73	3031073	Roll Pin		122	3031122	Ball Lift Pad	
74	3031074	Jam Nut		123	3031123	Cap Screw	
75	3031075	Side Pitch Wheel Shaft		124	3031124	Drill Rack	
76	3031076	Bushing		* 125	3031125	Lift Pad Nut	
77	3031077	Yoke		* 126	3031126	Set Screw	
78	3031078	U-Joint		* 127	3031127	Key Wrench	
79	3031079	Roll Pin		128	3031128	Switch Box	
80	3031080	Side Pitch Scale		129	3031129	Cam Stop	
81	3031081	Spread Wheel Shaft		130	3031130	Cam Stop Bolt	
82	3031082	Side Pitch Shaft & Nut		131	3031131	Leg Mounting Bolt	
83	3031008	Cap Screw		132	3031132	Leg	
84	N/A			133	3031133	Cam	
85	3031085	Side Pitch Indicator Finger		134	3031007	Set Screw	
86	3031086	Spread Hand Wheel		135	3031135	Cam Shaft Bushing	
87	3031087	Depth Scale		136	3031136	Cam Shaft	
88	3031088	Roll Pin		137	3031137	Cam Key	
91	3031091	Spread Shaft & Nut		138	3031138	Cam Handle Key	
92	3031092	Lock Washer		139	3031139	Cam Handle	
93	3031093	Nut		140	3031140	Nozzle Mounting Screw	
94	3031094	For/Rev Pitch Scale		141	3031141	Nozzle	
95	3031095	Spread Scale		142	3031142	Vacuum Hose	
96	3031096	Pitch Casting		143	3031143	Hose Connector	
97	3031097	Hinge Pin		150	3031150	Shop Vacuum	
98	3031098	Hinge Pin		* 151	3031151	Vacuum Bag	
99	3031099	Pipe Plug		152	3031152	Span Hand Wheel	
100	3031100	Pitch Gear		153	3031153	Span Shaft	
101	3031008	Cap Screw		154	3031154	Roll Pin	
102	3031102	For/Rev Pitch Ind. Finger		155	3031155	Span Shaft Bushing	
103	3031103	Pitch shaft & Knob		156	3031156	Span Lock Shaft	
104	3031104	For/Rev Pitch Lock		157	3031157	Span Lock Nut	
105	3031105	Taper Bushing		158	3031158	Sleeve	
106	3031106	Thrust Washer		159	3031159	Span Scale	
107	3031074	Jam Nut		160	3031160	Span Lock Knob	
108	3031108	Worm Gear		* 161	3031161	Dial-A-Fit Calculator	
* 111	3031111	Spring Catch		162	3031162	Locating Plate Pin	
112	3031112	Span Casting		* 163	3031163	GIL-MAC I.D. Tag	

\* NOTES:

3031111, 3031125, 3031126, 3031127, 3031151 & 3031161 are not shown pictured in the illustration.  
 3031163: You must have the original GIL-MAC serial number available in order to purchase this item.

# MODEL 60



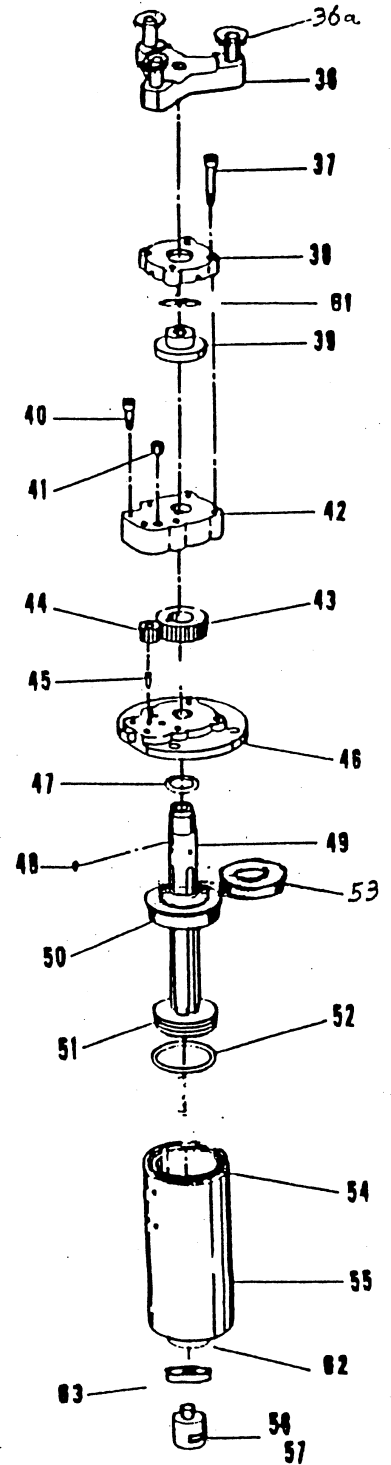
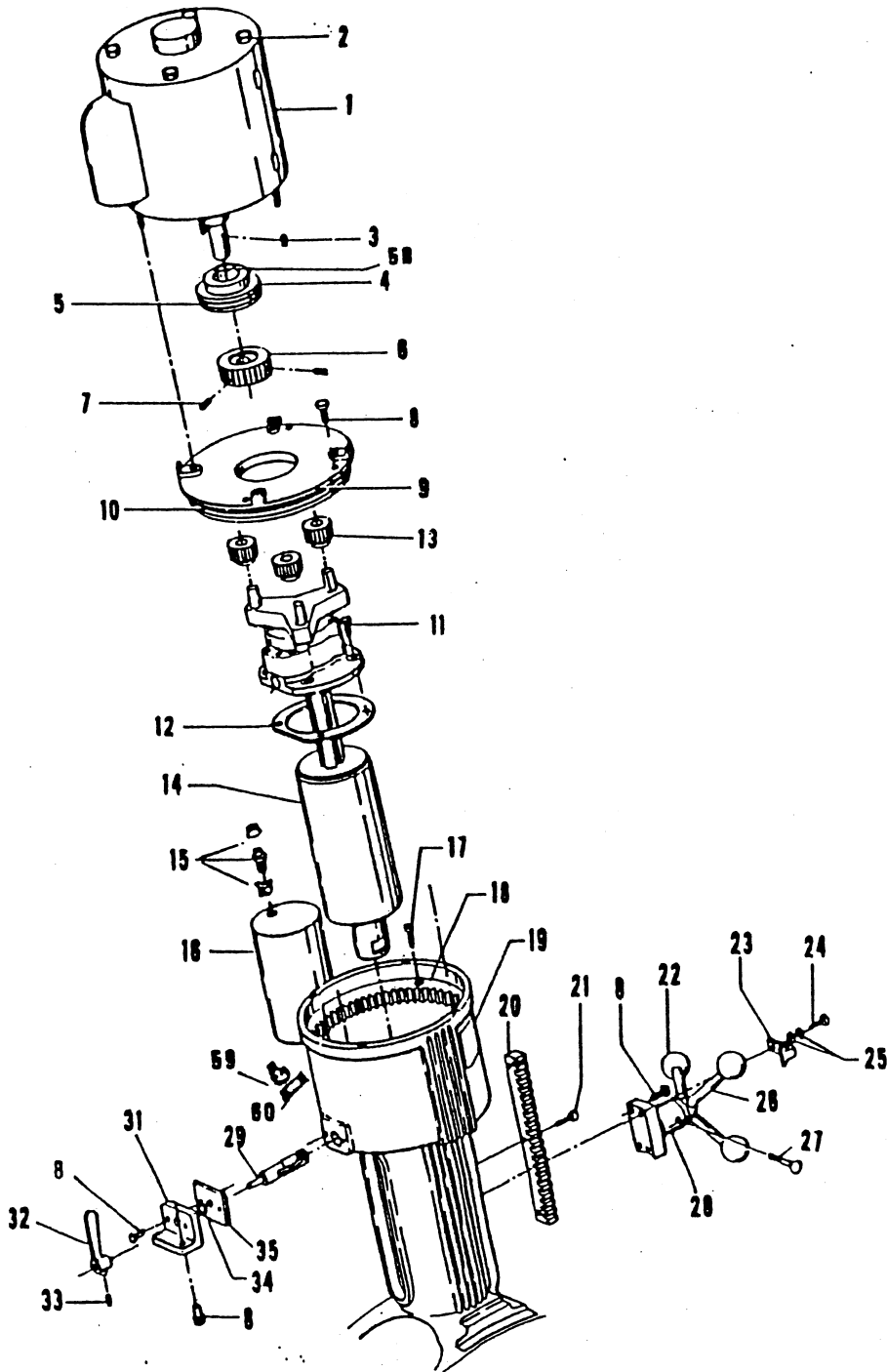
# MODEL 80

Item #	Part #	Description	Cost	Item #	Part #	Description	Cost
1	3031001	Electric Motor 60hz		34	3031034	Control Valve O'Ring	
2	3031002	Electric Motor 50hz		35	3031035	Control Valve Gasket	
3	3031003	Motor Shaft Key		36	3031036	Planetary Gear Carrier	
4	3031004	Motor Seal		36a	3031014	Planetary Gear Bolt	
5	3031005	Motor Seal O'Ring		37	3031037	Cap Screw	
6	3031006	Drive Gear		38	3031038	Thrust Bearing Cap	
7	3031007	Set Screw		39	3031039	Thrust Bearing	
8	3031008	Cap Screw		40	3031040	Cap Screw	
9	3031009	Motor Mounting Plate		41	3031041	Pressure Valve	
10	3031010	Mounting Plate O'Ring		42	3031042	Pump Housing	
11	3031011	Cap Screw		43	3031043	Pump Gear	
12	3031012	Pump Gasket		44	3031044	Idler Gear	
13	3031013	Planetary Gear		45	3031045	Stud	
14	3032014	Replacement Cylinder		46	3031046	Pump Valve Plate	
15	3031015	Air Vent		47	3031047	Spindle Shaft O'Ring	
16	3031016	Overflow Bleeder		48	3031048	Pump Drive Key	
17	3031017	Cap Screw		49	3032049	Spindle Shaft	
18	3031018	Internal Gear		50	3032050	Cylinder Plug	
19	3031019	Head Casting		51	3032051	Piston	
20	3031020	Gear Rack		* 51a	3032060	Piston Lock Washer	
* 21	3031021	Bearing Retainer		* 52b	3032061	Piston Nut	
22	3031022	Knob		52	3031052	Piston O'Ring	
23	3031023	Depth Indicator Finger		* 52a	3032052	Piston Seal Backup	
24	3031024	Cap screw		53	3031063	Quill Bearing	
25	3031025	Flat Washer		54	3031054	Cylinder	
26	3031026	Shaft		55	3032055	Quill	
27	3031027	Thumb Screw		56	3032056	Drill Chuck	
28	3031028	Hand Feed Wheel		* 57	3031057	1/2 Gal. Hydraulic Fluid	
29	3031029	Valve Stem		* 57a	3032057	1 Qt. Hydraulic Fluid	
* 30	3031030	Drill Retaining Spring		58	3031058	Motor Shaft O'Ring	
31	3031031	Control Valve Plate		59	3031059	Street Ell	
32	3031032	Control Valve Handle		60	3032060	Coupling	
33	3031007	Set Screw		61	3031061	Shim	
* 33a	3032053	Internal Piston Seal		62	3032062	Bottom Quill Plate	
				63	3031063	Quill Bearing	

**\* NOTES:**

3031021, 3031030, 3031057, 3032052, 3032053, 3032057, 3032060 & 3032061 are not shown pictured in the illustration.

# MODEL 80



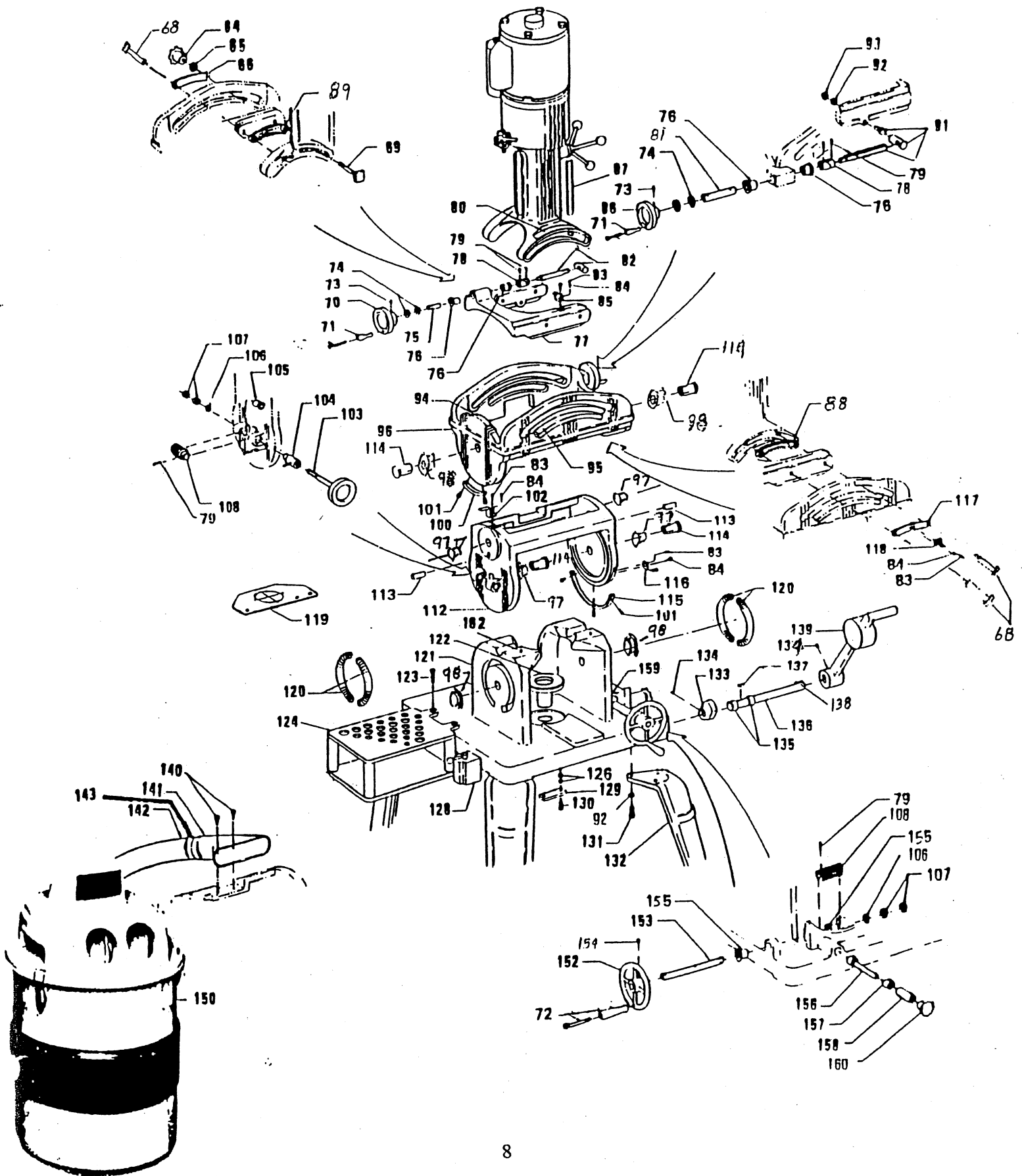
# MODEL 80

Item #	Part #	Description	Cost	Item #	Part #	Description	Cost
64	3031064	Lock Knob		113	3031113	Spring Load Pin	
65	3031065	Thrust Washer		114	3021114	Hinge Bearing	
66	3032066	Roller Plate		115	3031115	Span Gear	
68	3032068	Cam Roll Shaft		116	3031116	Span Indicator Finger	
69	3031068	Lock Bolt		117	3032117	Roller Plate	
70	3031070	Side Pitch Hand Wheel		118	3031118	Spread Indicator Finger	
71	3031071	Revolving Handle		119	3031119	Ball Locating Plate	
72	3031072	Revolving Handle		120	3031120	Spring	
73	3031073	Roll Pin		121	3031121	Base Casting	
74	3031074	Jam Nut		122	3031122	Ball Lift Pad	
75	3031075	Side Pitch Wheel Shaft		123	3031123	Cap Screw	
76	3031076	Bushing		124	3031124	Drill Rack	
77	3032077	Yoke		* 125	3031125	Lift Pad Nut	
78	3031078	U-Joint		* 126	3031126	Set Screw	
79	3031079	Roll Pin		* 127	3031127	Key Wrench	
80	3031080	Side Pitch Scale		128	3031128	Switch Box	
81	3031081	Spread Wheel Shaft		129	3031129	Cam Stop	
82	3031082	Side Pitch Shaft & Nut		130	3031130	Cam Stop Bolt	
83	3031008	Cap Screw		131	3031131	Leg Mounting Bolt	
83	3031008	Cap Screw		132	3031132	Leg	
85	3031085	Side Pitch Indicator Finger		133	3031133	Cam	
86	3031086	Spread Hand Wheel		134	3031007	Set Screw	
87	3031087	Depth Scale		135	3031135	Cam Shaft Bushing	
88	3032088	Roller Plate		136	3031136	Cam Shaft	
89	3032089	Roller Plate		137	3031137	Cam Key	
91	3031091	Spread Shaft & Nut		138	3031138	Cam Handle Key	
92	3031092	Lock Washer		139	3031139	Cam Handle	
93	3031093	Nut		140	3031140	Nozzle Mounting Screw	
94	3031094	For/Rev Pitch Scale		141	3031141	Nozzle	
95	3031095	Spread Scale		142	3031142	Vacuum Hose	
96	3031096	Pitch Casting		143	3031143	Hose Connector	
97	3032097	Bearing Nut		150	3031150	Shop Vacuum	
98	3032098	Bearing Retainer		* 151	3031151	Vacuum Bag	
* 99	3032099	Lock Washer & Screw		152	3031152	Span Hand Wheel	
100	3031100	Pitch Gear		153	3031153	Span Shaft	
101	3031008	Cap Screw		154	3031154	Roll Pin	
102	3031102	For/Rev Pitch Ind. Finger		155	3031155	Span Shaft Bushing	
103	3031103	Pitch shaft & Knob		156	3031156	Span Lock Shaft	
104	3031104	For/Rev Pitch Lock		157	3031157	Span Lock Nut	
105	3031105	Taper Bushing		158	3031158	Sleeve	
106	3031106	Thrust Washer		159	3031159	Span Scale	
107	3031074	Jam Nut		160	3031160	Span Lock Knob	
108	3031108	Worm Gear		* 161	3031161	Dial-A-Fit Calculator	
* 111	3031111	Spring Catch		162	3031162	Locating Plate Pin	
112	3031112	Span Casting		* 163	3031163	GIL-MAC I.D. Tag	

**\* NOTES:**

3031111, 3031125, 3031126, 3031127, 3031151, 3031161 & 3032099 are not shown pictured in the illustration.  
 3031163: You must have the original GIL-MAC serial number available in order to purchase this item.

# MODEL 80



# MODEL 80R

Item #	Part #	Description	Cost	Item #	Part #	Description	Cost
* 1	3031001	Electric Motor 60hz		33	3031007	Set Screw	
2	3031002	Electric Motor 50hz		* 33a	3031033	Internal Piston Seal	
3	3031003	Motor Shaft Key		34	3031034	Control Valve O'Ring	
4	3031004	Motor Seal		35	3031035	Control Valve Gasket	
5	3031005	Motor Seal O'Ring		36	3031036	Planetary Gear Carrier	
6	3031006	Drive Gear		37	3031037	Cap Screw	
7	3031007	Set Screw		* 38	3031038	Thrust Bearing Cap	
8	3031008	Cap Screw		* 39	3031039	Thrust Bearing	
9	3031009	Motor Mounting Plate		40	3031040	Cap Screw	
10	3031010	Mounting Plate O'Ring		* 41	3031041	Pressure Valve	
11	3031011	Cap Screw		42	3031042	Pump Housing	
12	3031012	Pump Gasket		43	3031043	Pump Gear	
13	3031013	Planetary Gear		44	3031044	Idler Gear	
14	3032014	Replacement Cylinder		45	3031045	Stud	
* 15	3031015	Air Vent		46	3031046	Pump Valve Plate	
16	3031016	Overflow Bleeder		* 47	3031047	Spindle Shaft O'Ring	
17	3031017	Cap Screw		48	3031048	Pump Drive Key	
18	3031018	Internal Gear		49	3031049	Spindle Shaft	
19	3031019	Head Casting		50	3031050	Cylinder Plug	
20	3031020	Gear Rack		51	3031051	Piston	
* 21	3031021	Bearing Retainer		52	3031052	Piston O'Ring	
22	3031022	Knob		* 53	3031053	Needle Bearings	
23	3031023	Depth Indicator Finger		54	3031054	Cylinder	
24	3031024	Cap screw		* 55	3031055	Quill	
25	3031025	Flat Washer		56	3031056	Drill Chuck	
26	3031026	Shaft		* 57	3031057	1/2 Gal. Hydraulic Fluid	
27	3031027	Thumb Screw		* 57a	3032057	1 Qt. Hydraulic Fluid	
28	3031028	Hand Feed Wheel		58	3031058	Motor Shaft O'Ring	
29	3031029	Valve Stem		59	3031059	Street Ell	
* 30	3031030	Drill Retaining Spring		60	3031060	Coupling	
31	3031031	Control Valve Plate		61	3031061	Shim	
32	3031032	Control Valve Handle		62	3031062	Bottom Quill Plate	
				63	3031063	Quill Bearing	

## \* NOTES:

3031001: Motors with a General Electric model # beginning with "5KC38" use part # 3031001.

Motors with a General Electric model # beginning with "5KC45" use part # 3032001.

3031015: If the plastic Bleeder mounts about 1" below the motor, use this part #. If the bleeder mounts 2"-3" below the motor, use part # 3032016.

3031021, 3031030, 3031033, 3031057 & 3032057 are not shown pictured in the illustration.

3031038, 3031039 & 3031041 were not used on some of the very early model 60 GIL-MACs.

3031047: On some repairs and remanufactures from 1992 to date utilized a larger than stock O'Ring in place of the original in order to save the customer from needing to purchase a new 3031046. When ordering this part, or a seal or O'Ring kit, make sure of the size of this part number.

3031053 & 3031055: These items must be purchased together. You may purchase a used set of 3031053 for an old 3031055, however if you need a new 3031055, you must purchase a new 3031053.

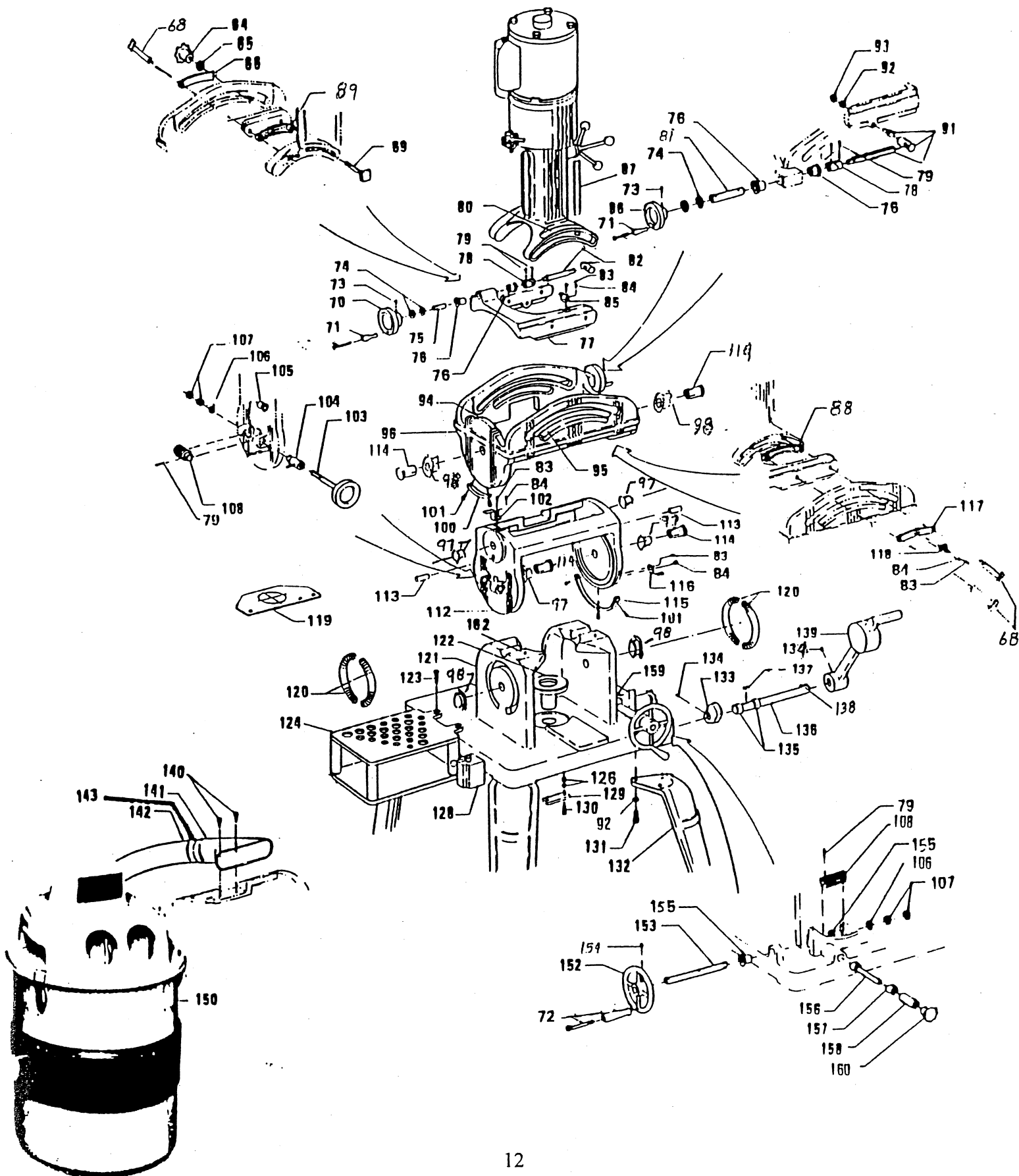
# MODEL 85

Item #	Part #	Description	Cost	Item #	Part #	Description	Cost
1	3031001	Electric Motor 60hz		34	3031034	Control Valve O'Ring	
2	3031002	Electric Motor 50hz		35	3031035	Control Valve Gasket	
3	3031003	Motor Shaft Key		36	3031036	Planetary Gear Carrier	
4	3031004	Motor Seal		36a	3031014	Planetary Gear Bolt	
5	3031005	Motor Seal O'Ring		37	3031037	Cap Screw	
6	3031006	Drive Gear		38	3031038	Thrust Bearing Cap	
7	3031007	Set Screw		39	3031039	Thrust Bearing	
8	3031008	Cap Screw		40	3031040	Cap Screw	
9	3031009	Motor Mounting Plate		41	3031041	Pressure Valve	
10	3031010	Mounting Plate O'Ring		42	3031042	Pump Housing	
11	3031011	Cap Screw		43	3031043	Pump Gear	
12	3031012	Pump Gasket		44	3031044	Idler Gear	
13	3031013	Planetary Gear		45	3031045	Stud	
14	3032014	Replacement Cylinder		46	3031046	Pump Valve Plate	
15	3031015	Air Vent		47	3031047	Spindle Shaft O'Ring	
16	3031016	Overflow Bleeder		48	3031048	Pump Drive Key	
17	3031017	Cap Screw		49	3033049	Spindle Shaft	
18	3031018	Internal Gear		50	3032050	Cylinder Plug	
19	3031019	Head Casting		51	3033051	Piston	
20	3031020	Gear Rack		* 51a	3032060	Piston Lock Washer	
* 21	3031021	Bearing Retainer		* 52b	3032061	Piston Nut	
22	3031022	Knob		52	3031052	Piston O'Ring	
23	3031023	Depth Indicator Finger		* 52a	3032052	Piston Seal Backup	
24	3031024	Cap screw		53	3031063	Quill Bearing	
25	3031025	Flat Washer		54	3031054	Cylinder	
26	3031026	Shaft		55	3032055	Quill	
27	3031027	Thumb Screw		56	3032056	Drill Chuck	
28	3031028	Hand Feed Wheel		* 57	3031057	1/2 Gal. Hydraulic Fluid	
29	3031029	Valve Stem		* 57a	3032057	1 Qt. Hydraulic Fluid	
* 30	3031030	Drill Retaining Spring		58	3031058	Motor Shaft O'Ring	
31	3031031	Control Valve Plate		59	3031059	Street Ell	
32	3031032	Control Valve Handle		60	3032060	Coupling	
33	3031007	Set Screw		61	3031061	Shim	
* 33a	3032053	Internal Piston Seal		62	3033062	Bottom Quill Plate	
* 33b	3033063	Bearing Race		63	3032063	Quill Bearing	

**\* NOTES:**

3031021, 3031030, 3031057, 3032052, 3032053, 3032057, 3032060, 3032061 & 3033063 are not shown pictured in the illustration.

# MODEL 80R



# MODEL 80R

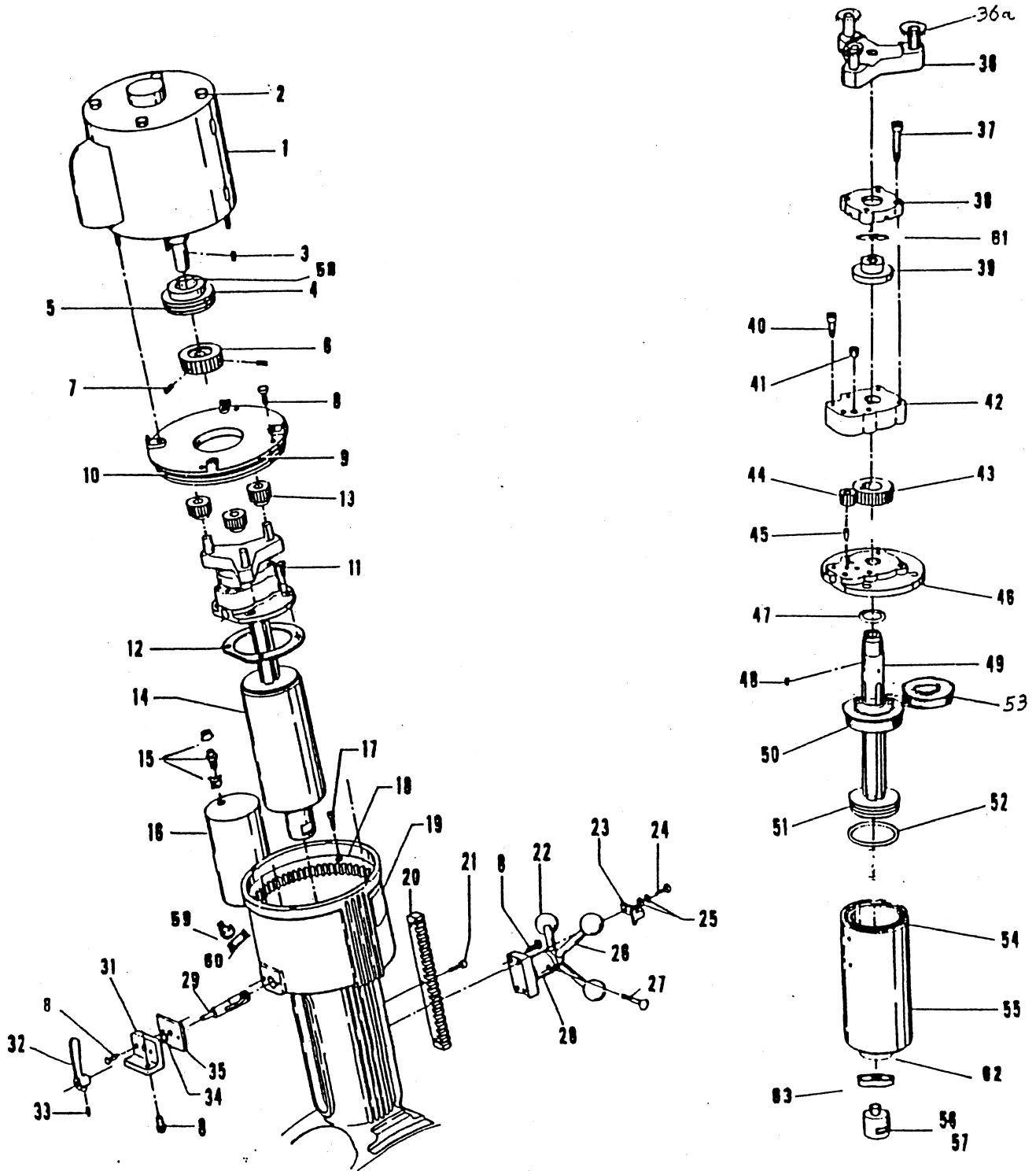
Item #	Part #	Description	Cost	Item #	Part #	Description	Cost
64	3031064	Lock Knob		113	3031113	Spring Load Pin	
65	3031065	Thrust Washer		114	3021114	Hinge Bearing	
66	3032066	Roller Plate		115	3031115	Span Gear	
68	3032068	Cam Roll Shaft		116	3031116	Span Indicator Finger	
69	3031068	Lock Bolt		117	3032117	Roller Plate	
70	3031070	Side Pitch Hand Wheel		118	3031118	Spread Indicator Finger	
71	3031071	Revolving Handle		119	3031119	Ball Locating Plate	
72	3031072	Revolving Handle		120	3031120	Spring	
73	3031073	Roll Pin		121	3031121	Base Casting	
74	3031074	Jam Nut		122	3031122	Ball Lift Pad	
75	3031075	Side Pitch Wheel Shaft		123	3031123	Cap Screw	
76	3031076	Bushing		124	3031124	Drill Rack	
77	3032077	Yoke		* 125	3031125	Lift Pad Nut	
78	3031078	U-Joint		* 126	3031126	Set Screw	
79	3031079	Roll Pin		* 127	3031127	Key Wrench	
80	3031080	Side Pitch Scale		128	3031128	Switch Box	
81	3031081	Spread Wheel Shaft		129	3031129	Cam Stop	
82	3031082	Side Pitch Shaft & Nut		130	3031130	Cam Stop Bolt	
83	3031008	Cap Screw		131	3031131	Leg Mounting Bolt	
83	3031008	Cap Screw		132	3031132	Leg	
85	3031085	Side Pitch Indicator Finger		133	3031133	Cam	
86	3031086	Spread Hand Wheel		134	3031007	Set Screw	
87	3031087	Depth Scale		135	3031135	Cam Shaft Bushing	
88	3032088	Roller Plate		136	3031136	Cam Shaft	
89	3032089	Roller Plate		137	3031137	Cam Key	
91	3031091	Spread Shaft & Nut		138	3031138	Cam Handle Key	
92	3031092	Lock Washer		139	3031139	Cam Handle	
93	3031093	Nut		140	3031140	Nozzle Mounting Screw	
94	3031094	For/Rev Pitch Scale		141	3031141	Nozzle	
95	3031095	Spread Scale		142	3031142	Vacuum Hose	
96	3031096	Pitch Casting		143	3031143	Hose Connector	
97	3032097	Bearing Nut		150	3031150	Shop Vacuum	
98	3032098	Bearing Retainer		* 151	3031151	Vacuum Bag	
* 99	3032099	Lock Washer & Screw		152	3031152	Span Hand Wheel	
100	3031100	Pitch Gear		153	3031153	Span Shaft	
101	3031008	Cap Screw		154	3031154	Roll Pin	
102	3031102	For/Rev Pitch Ind. Finger		155	3031155	Span Shaft Bushing	
103	3031103	Pitch shaft & Knob		156	3031156	Span Lock Shaft	
104	3031104	For/Rev Pitch Lock		157	3031157	Span Lock Nut	
105	3031105	Taper Bushing		158	3031158	Sleeve	
106	3031106	Thrust Washer		159	3031159	Span Scale	
107	3031074	Jam Nut		160	3031160	Span Lock Knob	
108	3031108	Worm Gear		* 161	3031161	Dial-A-Fit Calculator	
* 111	3031111	Spring Catch		162	3031162	Locating Plate Pin	
112	3031112	Span Casting		* 163	3031163	GIL-MAC I.D. Tag	

**\* NOTES:**

3031111, 3031125, 3031126, 3031127, 3031151, 3031161 & 3032099 are not shown pictured in the illustration.  
 3031163: You must have the original GIL-MAC serial number available in order to purchase this item.



# MODEL 85



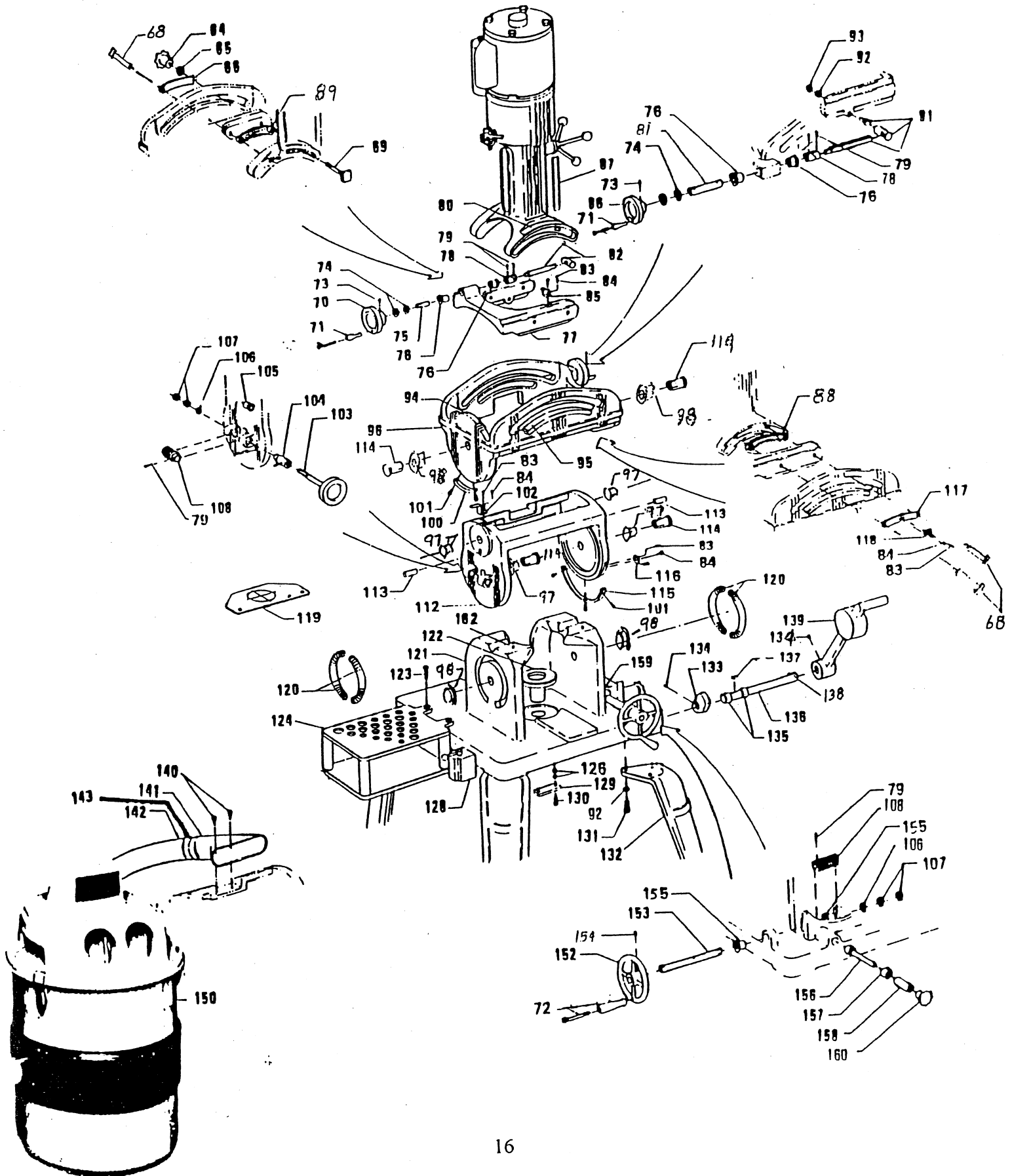
# MODEL 85

Item #	Part #	Description	Cost	Item #	Part #	Description	Cost
64	3031064	Lock Knob		113	3031113	Spring Load Pin	
65	3031065	Thrust Washer		114	3021114	Hinge Bearing	
66	3032066	Roller Plate		115	3031115	Span Gear	
68	3032068	Cam Roll Shaft		116	3031116	Span Indicator Finger	
69	3031068	Lock Bolt		117	3032117	Roller Plate	
70	3031070	Side Pitch Hand Wheel		118	3031118	Spread Indicator Finger	
71	3031071	Revolving Handle		119	3031119	Ball Locating Plate	
72	3031072	Revolving Handle		120	3031120	Spring	
73	3031073	Roll Pin		121	3031121	Base Casting	
74	3031074	Jam Nut		122	3031122	Ball Lift Pad	
75	3031075	Side Pitch Wheel Shaft		123	3031123	Cap Screw	
76	3031076	Bushing		124	3031124	Drill Rack	
77	3032077	Yoke		* 125	3031125	Lift Pad Nut	
78	3031078	U-Joint		* 126	3031126	Set Screw	
79	3031079	Roll Pin		* 127	3031127	Key Wrench	
80	3031080	Side Pitch Scale		128	3031128	Switch Box	
81	3031081	Spread Wheel Shaft		129	3031129	Cam Stop	
82	3031082	Side Pitch Shaft & Nut		130	3031130	Cam Stop Bolt	
83	3031008	Cap Screw		131	3031131	Leg Mounting Bolt	
83	3031008	Cap Screw		132	3031132	Leg	
85	3031085	Side Pitch Indicator Finger		133	3031133	Cam	
86	3031086	Spread Hand Wheel		134	3031007	Set Screw	
87	3031087	Depth Scale		135	3031135	Cam Shaft Bushing	
88	3032088	Roller Plate		136	3031136	Cam Shaft	
89	3032089	Roller Plate		137	3031137	Cam Key	
91	3031091	Spread Shaft & Nut		138	3031138	Cam Handle Key	
92	3031092	Lock Washer		139	3031139	Cam Handle	
93	3031093	Nut		140	3031140	Nozzle Mounting Screw	
94	3031094	For/Rev Pitch Scale		141	3031141	Nozzle	
95	3031095	Spread Scale		142	3031142	Vacuum Hose	
96	3031096	Pitch Casting		143	3031143	Hose Connector	
97	3032097	Bearing Nut		150	3031150	Shop Vacuum	
98	3032098	Bearing Retainer		* 151	3031151	Vacuum Bag	
* 99	3032099	Lock Washer & Screw		152	3031152	Span Hand Wheel	
100	3031100	Pitch Gear		153	3031153	Span Shaft	
101	3031008	Cap Screw		154	3031154	Roll Pin	
102	3031102	For/Rev Pitch Ind. Finger		155	3031155	Span Shaft Bushing	
103	3031103	Pitch shaft & Knob		156	3031156	Span Lock Shaft	
104	3031104	For/Rev Pitch Lock		157	3031157	Span Lock Nut	
105	3031105	Taper Bushing		158	3031158	Sleeve	
106	3031106	Thrust Washer		159	3031159	Span Scale	
107	3031074	Jam Nut		160	3031160	Span Lock Knob	
108	3031108	Worm Gear		* 161	3031161	Dial-A-Fit Calculator	
* 111	3031111	Spring Catch		162	3031162	Locating Plate Pin	
112	3031112	Span Casting		* 163	3031163	GIL-MAC I.D. Tag	

**\* NOTES:**

3031111, 3031125, 3031126, 3031127, 3031151, 3031161 & 3032099 are not shown pictured in the illustration.  
 3031163: You must have the original GIL-MAC serial number available in order to purchase this item.

# MODEL 85



# SERVICES & ADDITIONAL PRODUCTS

## SERVICES

Description	Item No.	Price
Remanufacture Customers GIL-MAC	3051000	
Repair and Sleeve Customers Head Casting	3051001	
Rebuilt Customers Cylinder (mdl. 60)	3051002	
Rebuilt Customers Cylinder (mdl. 80 & 85)	3051003	
Sharpen Customers Drill Bits (any style)	3051004	
Qty. 1-14 (each).....		
Qty. 15 and over (each).....		
Sharpen Customers Plug Trimmer	3051005	
Replace Carbide & Sharpen Drill	3051006	
Replace Carbide & Sharpen Plug Trimmer	3051007	
Repair of Customers GIL-MAC	3051008	priced upon inspection
Repair of Other Pro Shop Items	3051009	priced upon inspection

## OTHER PRODUCTS

Description	Part No.	Price
Electrical Male Plug	3031165	
Electrical Connector	3031166	
Set of Scales	3031167	
Set of O'Rings (60)	3031168	
Set of O'Rings (80)	3031169	
Set of O'Rings (80R)	3031168	
Seal Kit (60)	3031170	
Seal Kit (80)	3031171	
Seal Kit (80R)	3031170	
Seal Kit (85)	3031178	
Wire hold Clamp	3031175	
Safety Glasses	3031177	
Motor (early style)	3032001	
Motor Seal (early)	3032004	
Motor Seal (50 hz)	3032003	
Mtg. Plate Seal (early)	3032005	
Mounting Plate (early)	3032010	
Mounting Plate (50 hz)	3032009	
Drive Gr. Thrust Brg.	3032013	
New Cylinder w/Pump	3032015	
Span Lock (cam type)	3032104	
Span Lock Spacer	3032105	
Switch Box Wired	3032128	
Rebuilt Cylinder	3062104	

\*(\$ 200.00 off if the used core is returned)